

# ROCKMAN ULTIMATUM SCHEMATIC TRACE (verified)

Rockman Ultimatum Trace (verified) by Mark Davis – September 11, 2022

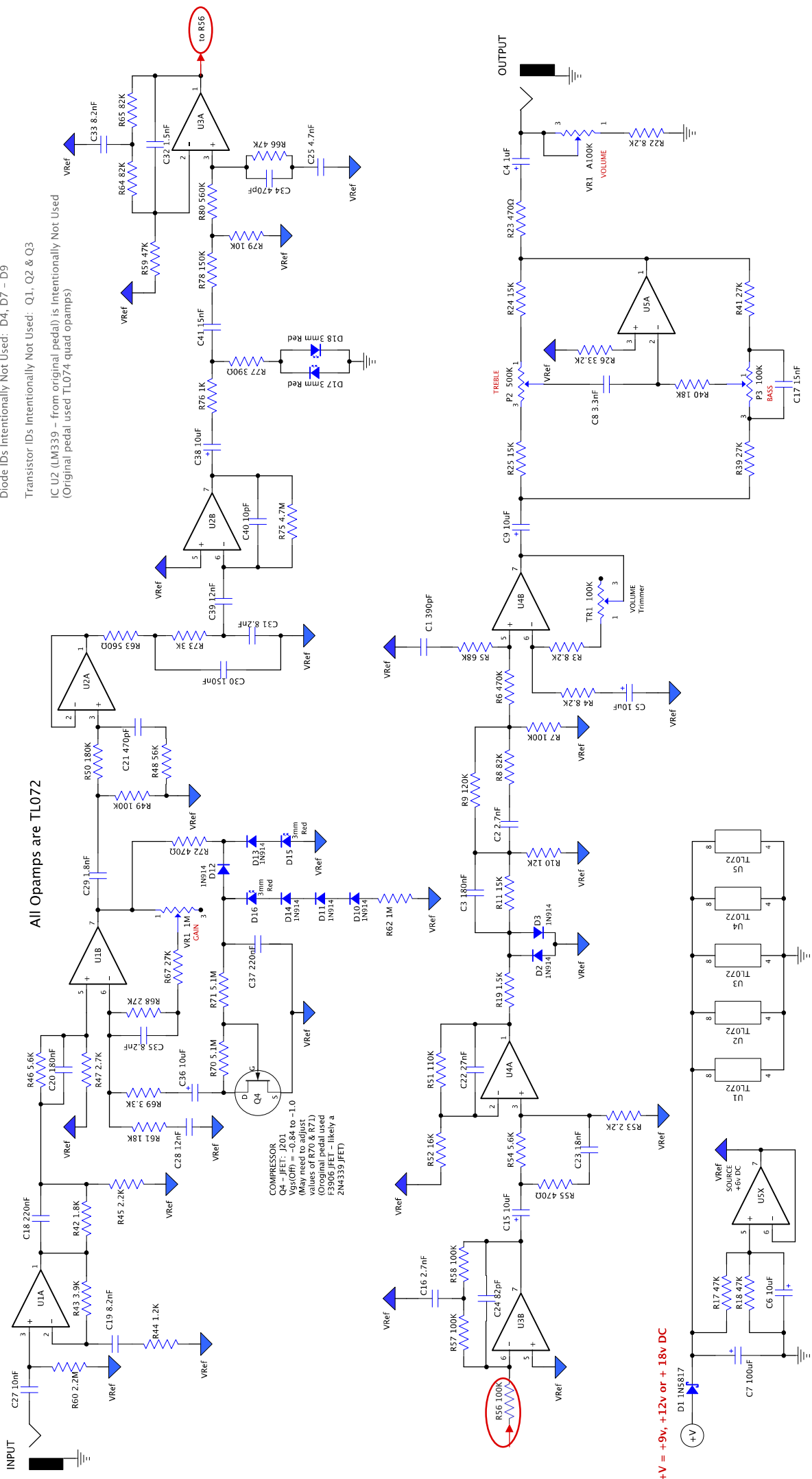
Resistor IDs Intentionally Not Used: R1, R12 – R16, R20, R21, R29 – R38

Capacitor IDs Intentionally Not Used: C10 – C12

Diode IDs Intentionally Not Used: D4, D7 – D9

Transistor IDs Intentionally Not Used: Q1, Q2 & Q3

IC U2 (LM339 – from original pedal) is intentionally Not Used  
(Original pedal used TL074 quad opamps)



All Opamps are TL072

COMPRESSOR  
Q4 – JFET: [201  
Vgs(Off) = -0.84 to -1.0  
(May need to adjust  
values of R70 & R71)  
(Original pedal used  
F3906 JFET – likely a  
2N4339 JFET)

+V = +9v, +12v or +18v DC