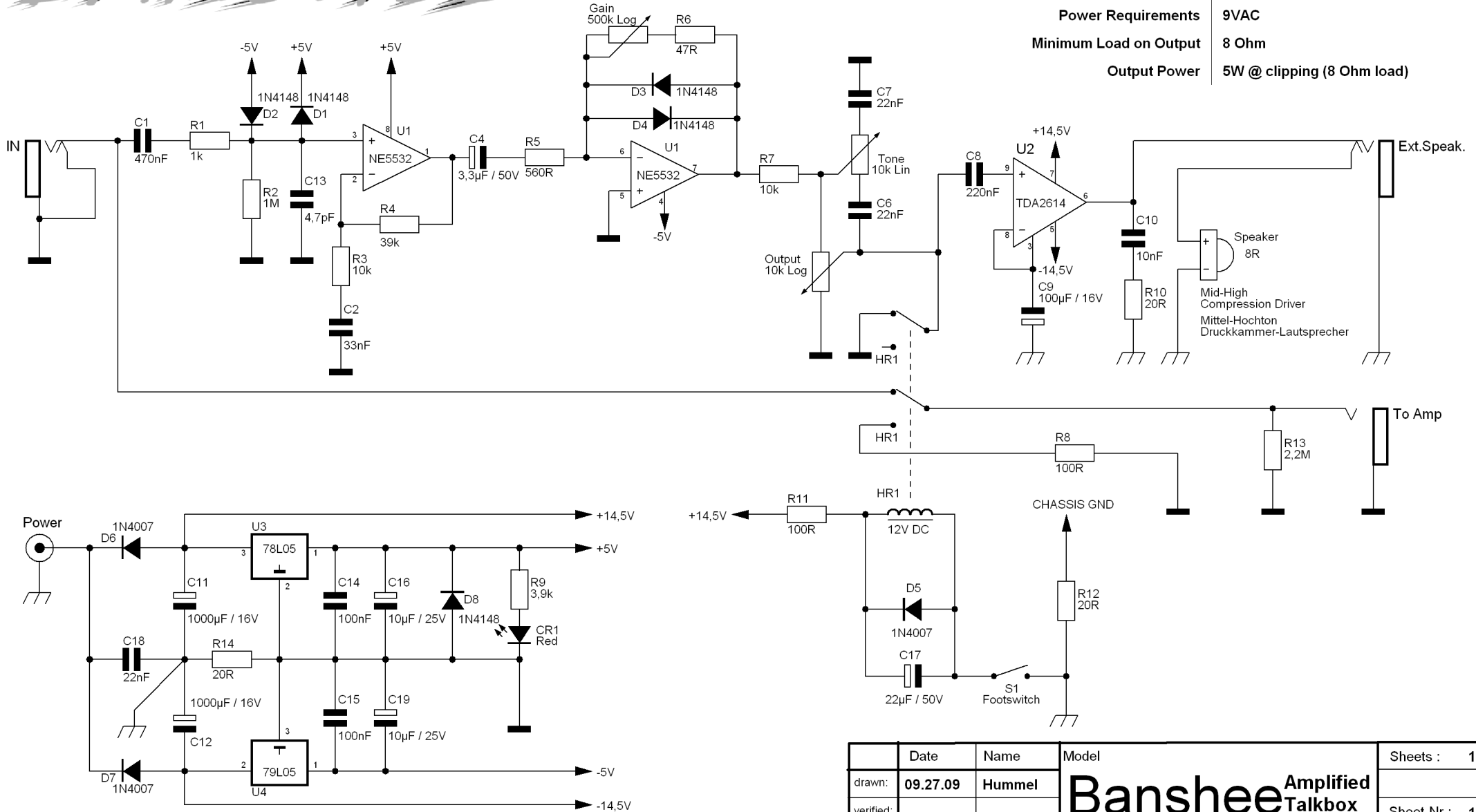


## AMPLIFIED TALKBOX

## Specifications

Maximum Input	+9.5dBu
Input Impedance	1 MOhm
Current Consumption	1.003A @ 5 watts
Power Requirements	9VAC
Minimum Load on Output	8 Ohm
Output Power	5W @ clipping (8 Ohm load)



Date	Name	Model	Sheets :	1
drawn: 09.27.09	Hummel	<b>Banshee Amplified Talkbox</b>	Sheet-Nr.:	1
verified:				
Power Supply : 9VAC - 2000mA - 18VA		Manufacturer	<b>ROCKTRON</b>	