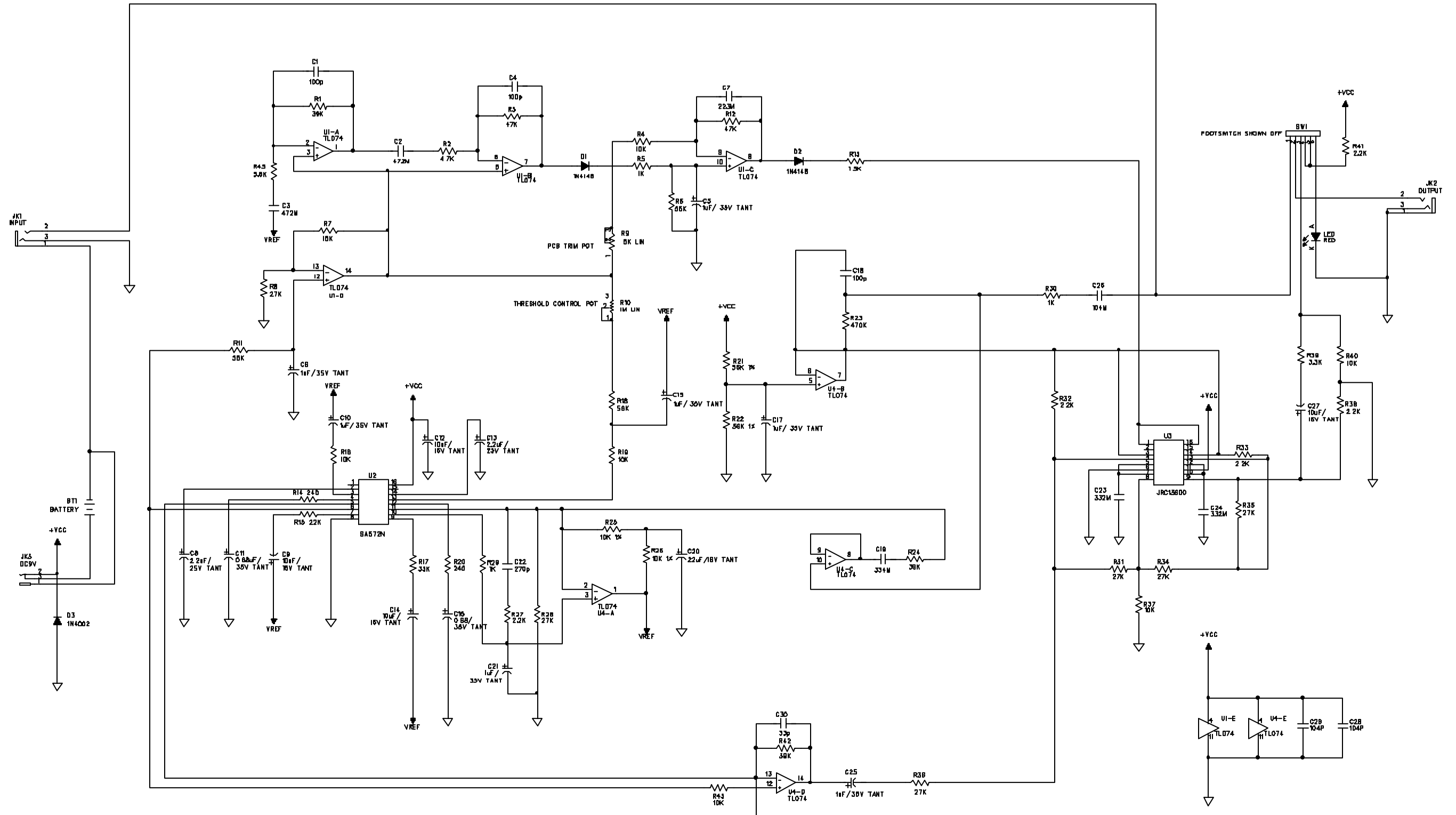


6 5 4 3 2 1

REVISION RECORD			
LTR	ISS. NO.	APPROVED	DATE



COMPANY:				
TITLE				
HUSH THE PEDAL				
DRAWN	JH LBC	DATE	2002 SEP 28	REV.
CHECKED		DATE		
QUALITY CONTROL		DATE		
RELEASED		DATE		
SCALE		SHEET	67	