

# R M

## RM 68X Noise Gate



- Direct replacement for Kepex
- 150 nano second Attack Time
- - 96 Dbm Output Noise
- .05% Distortion
- - 56 Dbm Maximum Input Sensitivity
- Keying Input
- In/Out Bypass Switch
- 2 LED's Red (Gating) Green (Non-Gating)
- Price \$125

## Technical Specifications

Attack Time. 150 nano seconds ( 0.15 microseconds )

Release Time. Adjustable from 30ms to 5secs

Attenuation Range. Adjustable from 0db to 30db

Input Sensitivity. Adjustable from - 56Dbm to +20Dbm

Output Noise -96Dbm

Input Impedance. Greater than 8000 ohms

Distortion. .05% under normal operating conditions

Frequency Response.  $\pm 1$ db 20Hz-50Khz

Insertion Loss. 0db

Output. +18Dbm (600 ohms)

Power Requirements. +24 Volts DC @ 40ma

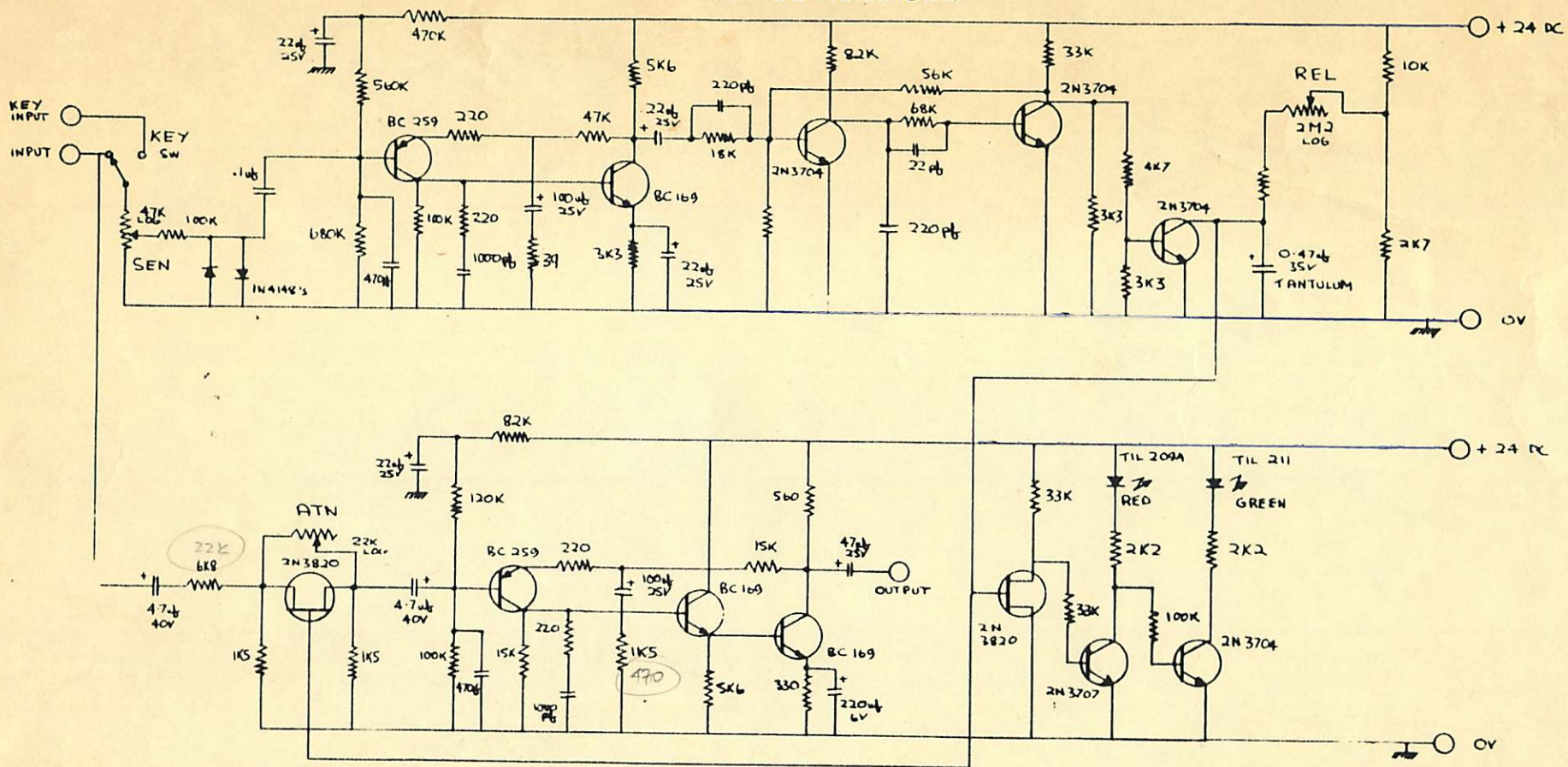
Dimensions. 1.0 x 4.5 Front Panel 7.6 Overall Depth

Auxiliary Input. Keying Input has same sensitivity as input and is controlled by the SEN control.

Price. \$125 F.O.B. N.Y., N.Y.

# RM

## RM 68 Noise Gate



Mfg. By ROGER MAYER ELECTRONICS INC. 226 EAST 57th ST. NEW YORK, N.Y. 10022 (212) 486-1544

-15.3dB →

→ +16.67DB

→ -24.4DB →

+36.67 C/S  
-20.010 F.B