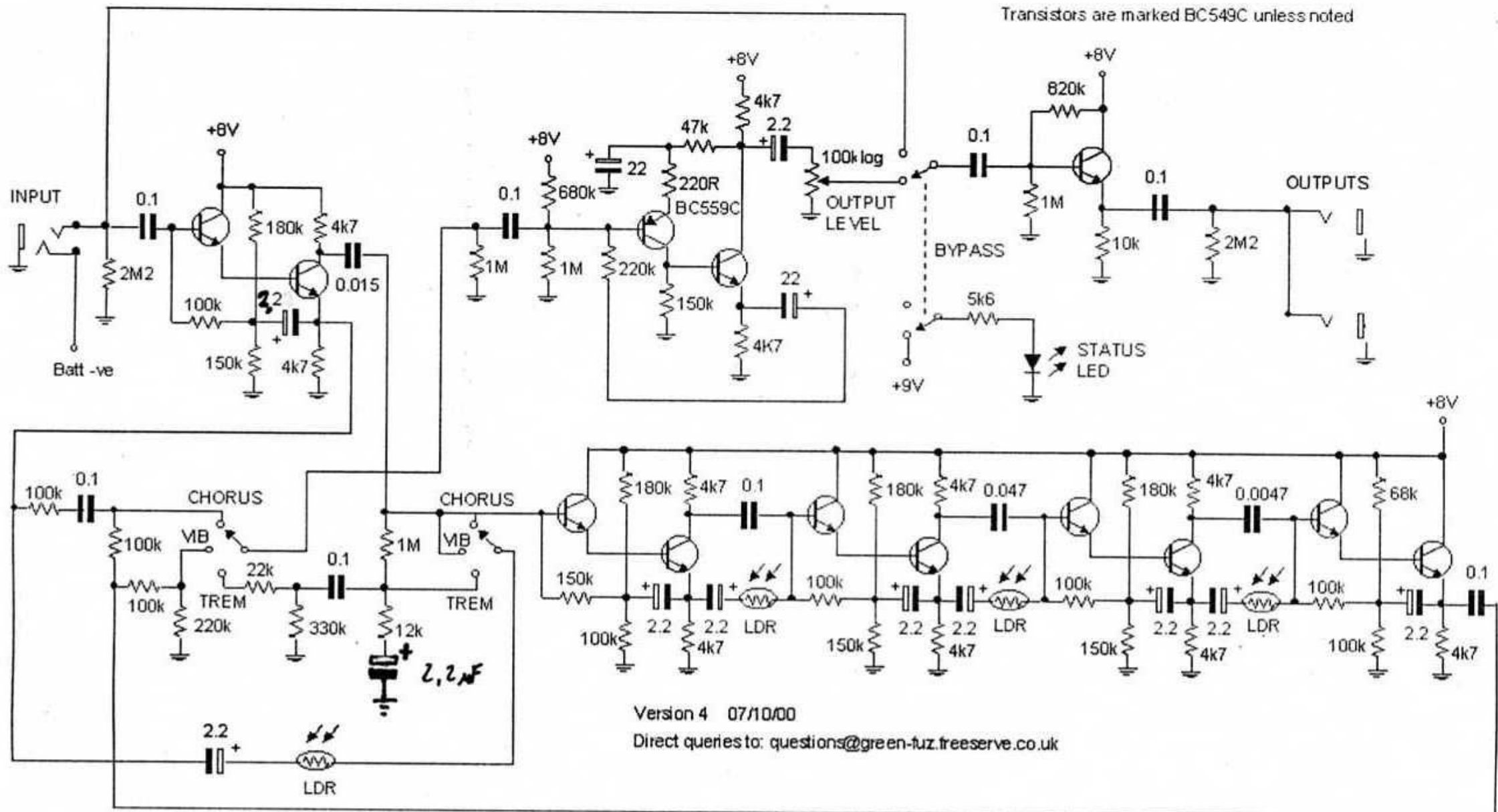


Transistors are marked BC549C unless noted



Version 4 07/10/00

Direct queries to: questions@green-fuz.freemove.co.uk

Op-amps are LM324N
LEDs are clear-bodied, yellow type

