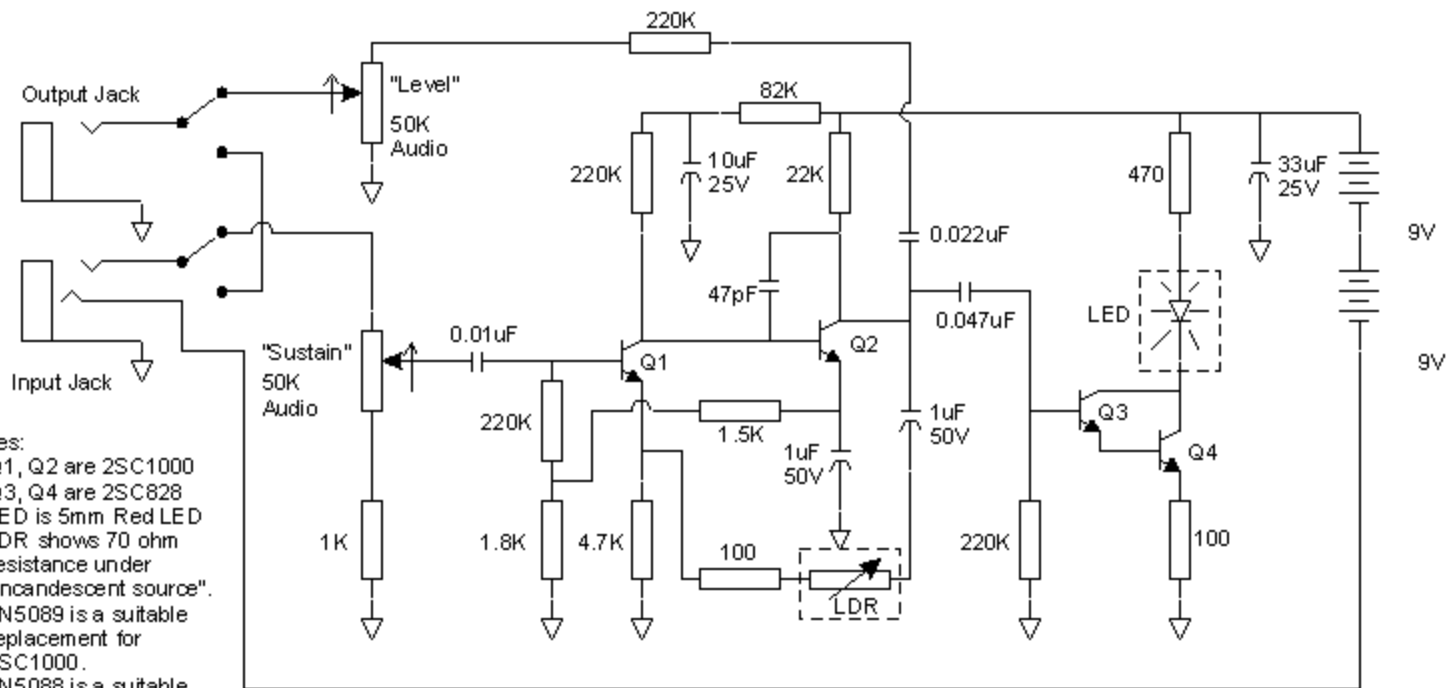


# Roland "Sustain"



## Notes:

1. Q1, Q2 are 2SC1000
2. Q3, Q4 are 2SC828
3. LED is 5mm Red LED
4. LDR shows 70 ohm resistance under "incandescent source".
5. 2N5089 is a suitable replacement for 2SC1000.
6. 2N5088 is a suitable replacement for Q3
7. 2N3904 is a suitable replacement for Q4.
8. "2SC" and "2N" pinouts are different.