

RV-100/RX-100 SERVICE NOTES

Second Edition
(NOV. 7, 1983)

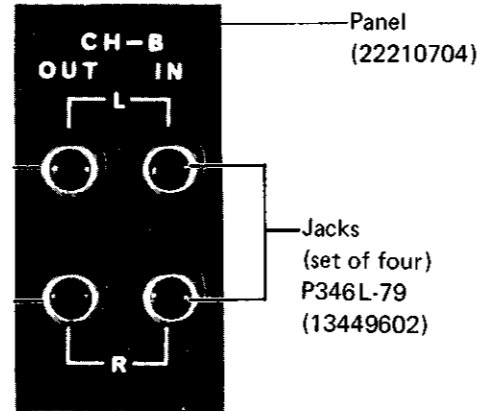
SPECIFICATIONS

Input Sensitivity/Impedance	
A Channel	-50dB/2.9kohm -35dB/10kohm
B Channel	-20dB/60kohm -15dB/50kohm
Output Level/Impedance	
A Channel	-20dB/600ohm
B Channel	-15dB/1kohm
Power Consumption	5W
Dimensions	340(W) x 95(H) x 165(D)mm 13.8(W) x 3.7(H) x 6.5(D) in
Weight	2.6kg, 5.7 lbs.

DISASSEMBLY

Remove four screws (4 x 8mm BH) on the bottom.

Difference between RV-100 and RX-100
Front Panel Only.



PARTS LIST

Parts represented in new code (8-10 digits) with old for reference. Always use the new number in replacement order.

PART NO.	OLD NO.	Name and description
22010120	065-154	Cover(case)
22350101	111-120	Base(disk)
12359111	111-030	Rubber foot
22210703	072-213	RV-100 panel front
22210707	---	RX-100 panel front
22210704	072-214	Panel rear
22810169	061-182A	Chassis
22470112	016-043	Knob
12389102	040-005	Reverb unit IN-5

JACK

13449107	009-023	SG-7630
13449602	009-029	P436L079 pin (set of four)

SWITCH

13139127	001-007	SP-2022 (blk) power
13159104	001-195	SSM02205 slide 2T
13159307	001-196	SSM02308 slide 3T

POWER TRANSFORMER

22450123C1	022-086C	245-123C1 100/117V
22450124D0	022-086D	245-124D 220/240V

PCB

2291036100	052-307	LED mounting, less parts
7310606005	---	ET3106-060 (pcb 2291036804 or 052-324C) IC5-TA7238P Compatible with ET-35B (052-324B) Specify Line Voltage for obtaining correct version when ordering

FUSE

12559104	008-024	SGA 0.5A midget 100/117V
12559504	008-056	CEE T100mA prim. 220/240V
12559508	008-060	CEE T250mA sec. 220/240V

POTENTIOMETER

13219214	028-483	EVHCCAK20B54 50KB or EVH6PA361B54 or EVH6PAP20B54
13219752	028-495	EWKDG3P20B54 or EWKDG3320B54 50KBx2 gang with switch

ELECTROLYTIC CAPACITOR

13639942M0	032-190	ECEA50N1 1mfd 50V bi-polar
13639931M0	032-194	ECEA25N4R7 4.7mfd 25V bi-polar

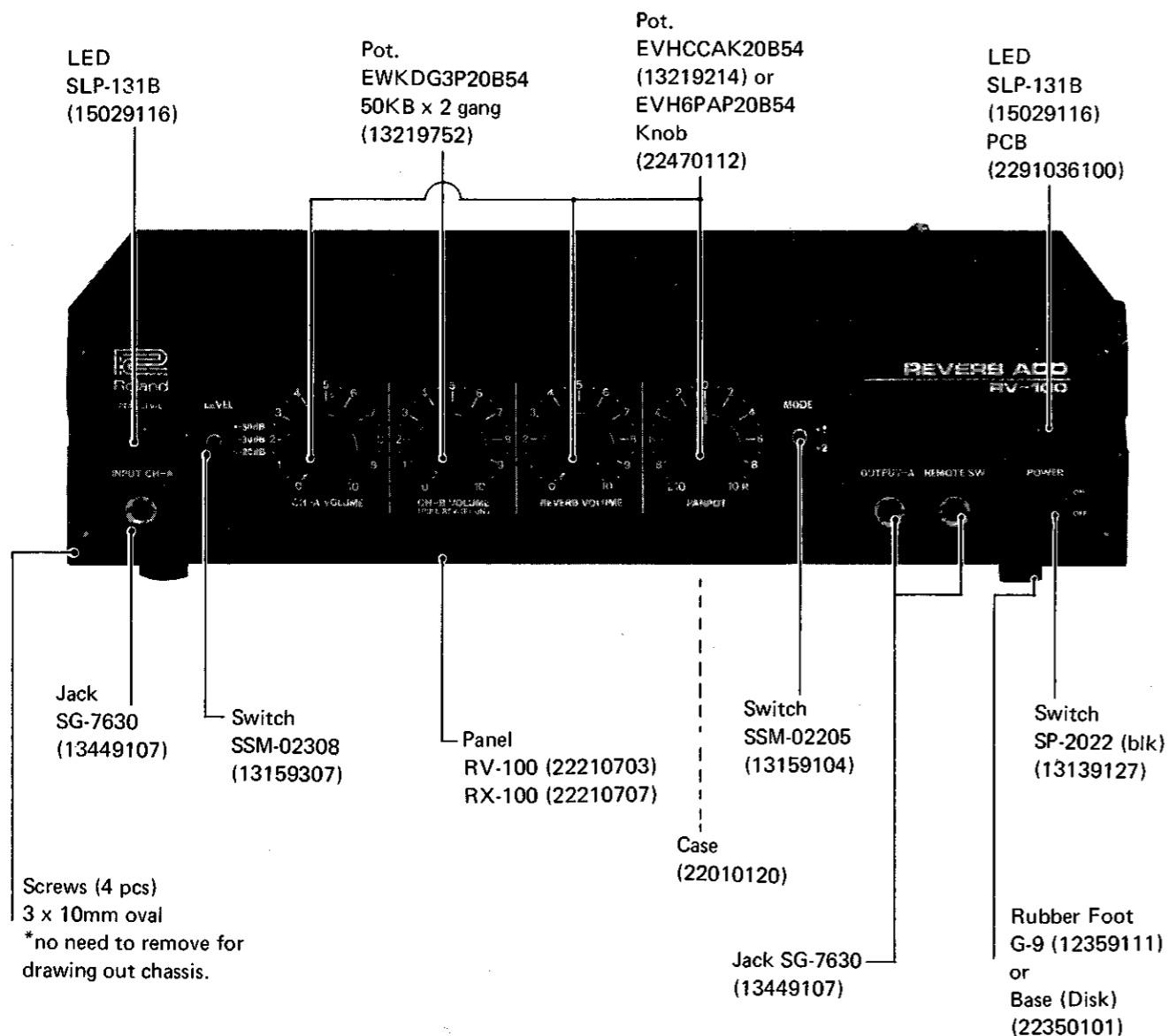
SEMICONDUCTOR

15129816	017-010	2SD880-Y or 2SD234-0 (15129801)
15129127	017-038	2SC1843-F or 2SC2240-BL
15129102	017-037	2SC536-F or 2SC1815-GR (15129114)
15139103	017-016	2SK30ATM-GR FET
15019103	018-014	1S2473 diode
15019205	018-022	1N4003 diode or 1SR35-200 (15019208) or S-5500G (15019209T0) diode
---	018-010	02Z-15A or RD-16EB2 (15019560) or 05Z15U (15019619) zener
15029116	019-013	SLP-131B LED
15189105	020-097	μPC4558C IC
15199503	020-028	TA7200P IC5 old
15199511	---	TA7238P IC5 new

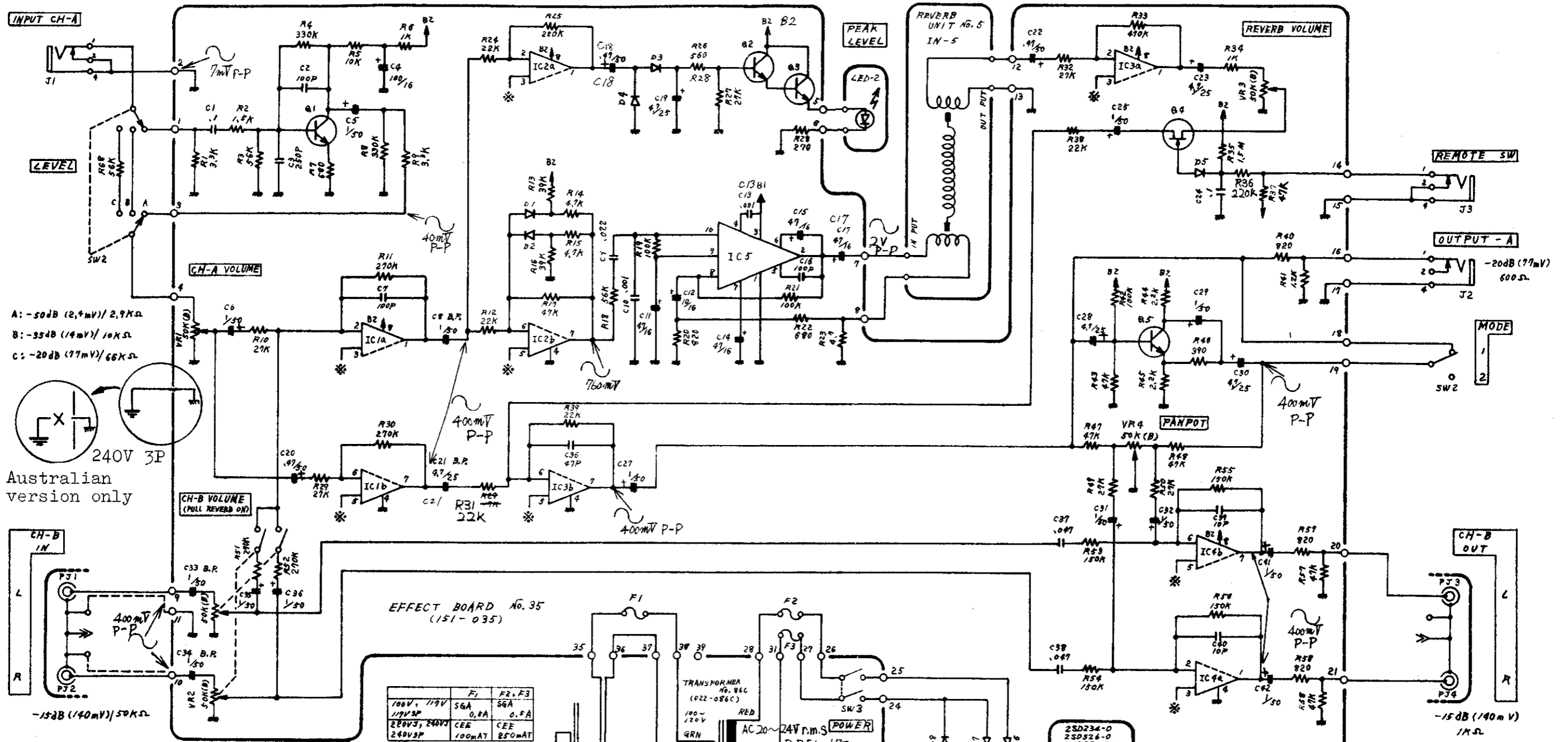
OTHERS

22150501	120-011	Long nut 3x10mm
22240104	065-164	Cover slide switch
22020121	065-193	Cover Rev. unit
23410101	053-166	Connector assy
12199519	012-003	Fuse holder TF-758
22190234	064-134	Holder line cord
12369511	047-003	Cord Strain relief BU-4801
12369410	047-023	Cord clamp 1702B

Since this parts list does not cover all used, a complete description of the part and where it is used will help factory to fill your order promptly.



1 2 3 4 5 6 7 8 9 10 11 12 13 14 15 16 17 18 19 20 21 22 23 24 25 26 27 28 29 30 31 32 33 34 35 36 37 38 39 40



A: -50dB (2.4mV) / 2.9KΩ
 B: -35dB (14mV) / 10KΩ
 C: -20dB (77mV) / 66KΩ

240V 3P
 Australian version only

EFFECT BOARD No. 35 (151-035)

	F1	F2, F3
100V, 119V	56A	56A
117V 3P	0.4A	0.5A
220V 3, 240V	CEE	CEE
240V 3P	100mA	150mA

NOTES

UNLESS OTHERWISE SPECIFIED:

ALL RESISTOR VALUES ARE IN OHMS, 1/4 W.

ALL CAPACITOR VALUES ARE IN MICROFARADS, 50V

IC:

IC1-4 : MPC4558

IC5 : TA7200P

TRANSISTORS:

Q1, Q5 : 2SC122E(E) or 2SC2240

Q2, Q3 : 2SC536(F) or 2SC1815 (GR)

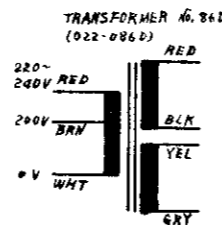
Q4 : 2SK30A (GR)

DIODES:

D1~D5 : 1S2473 or 1S1555 or 1S1588

D6~D8 : 1N4003

LED-1-2: SLP-131B

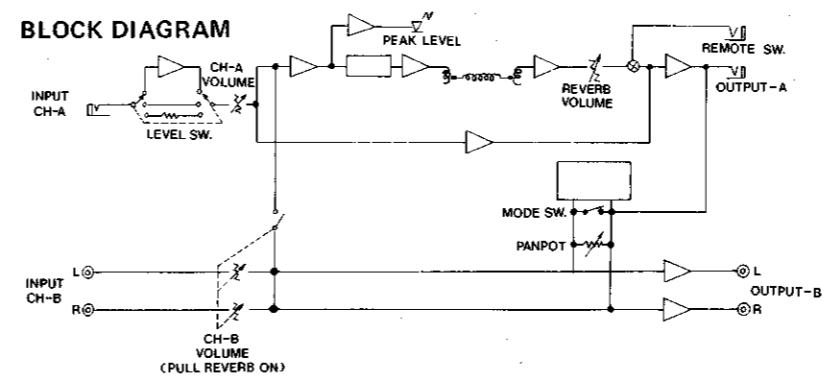


SIGNAL LEVELS TEST SIGNAL: 1kHz, Sine Wave

CH-A					CH-B					REVERB				
Set- at	Feed	to	Check	for	Set- at	Feed	to	Check	for	Set- at	Feed	to	Check	for
LEVEL SW -50dB			PCB Terminal No.7	approx. 2 Vpp	CH-B VOL "10"	-15 dBm	CH-B IN L or R	PCB Terminal No.7	approx. 2 Vpp	REV VOL "10"			OUTPUT A jack	200 mVpp
CH-A VOL "10"	-50 dBm	CH-A IN jack			push				OV	MODE: 1				
REV VOL "0"			OUTPUT jack A	200 mVpp	CH-B VOL "10"	-15 dBm	CH-B IN R L	CH-B OUT R L	400 mVpp 400 mVpp	PANPOT center "0"	-40 dBm	PCB Terminal No.12	CH-B OUTPUT R L	400 mVpp 400 mVpp
LEVEL -50dB	-50 dBm		Peak Level Indicator	turning on										
CH-A VOL "10"	then increase it to -47 dBm													

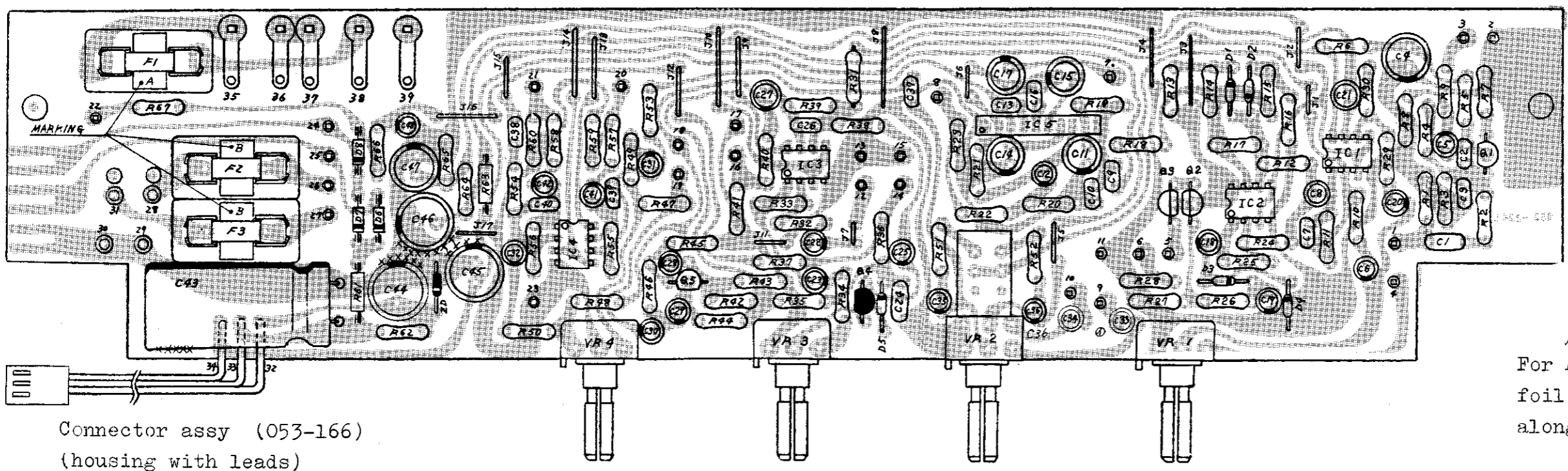
	F1	F2, F3
100V	SGA 0.5A	SGA 0.5A
117V	(008-024)	(008-024)
220V	CEE T100mA	CEE T250mA
240V	(008-056)	(008-060)

⊕⊙ :electrolytic
⊙ :bi-polar



- Q1, Q5: 2SC122-E/2SC2240-GR
- Q2, Q3: 2SC536-F/2SC1815-GR
- Q4 : 2SK30A-GR
- D1-D5: 1S2473 / 1S1555
- D6-D8: 1N4003
- ZD : 02Z-15A

ET-35B(151-035B) (PCB 052-324B)



Connector assy (053-166)
(housing with leads)

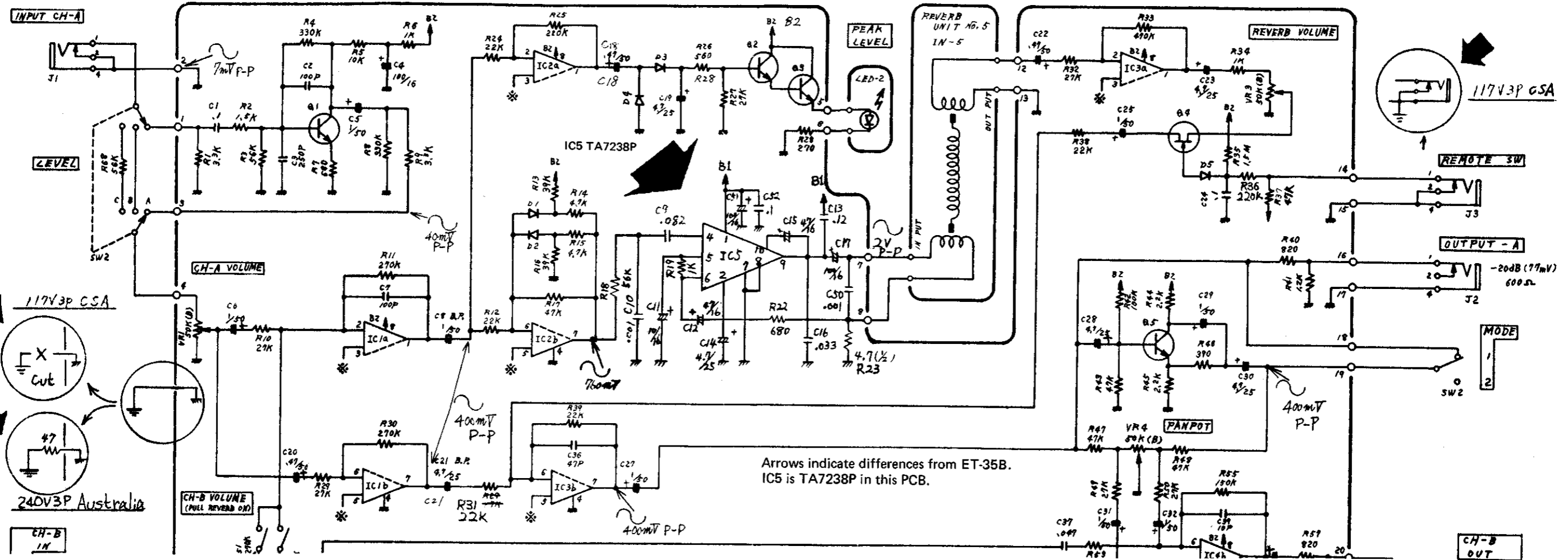


For Australian version
foil is scraped off
along this line.

A B C D E F G H I J K L M N O P Q R S T U V W X Y Z

1 2 3 4 5 6 7 8 9 10 11 12 13 14 15 16 17 18 19 20 21 22 23 24 25 26 27 28 29 30 31 32 33 34 35 36 37 38

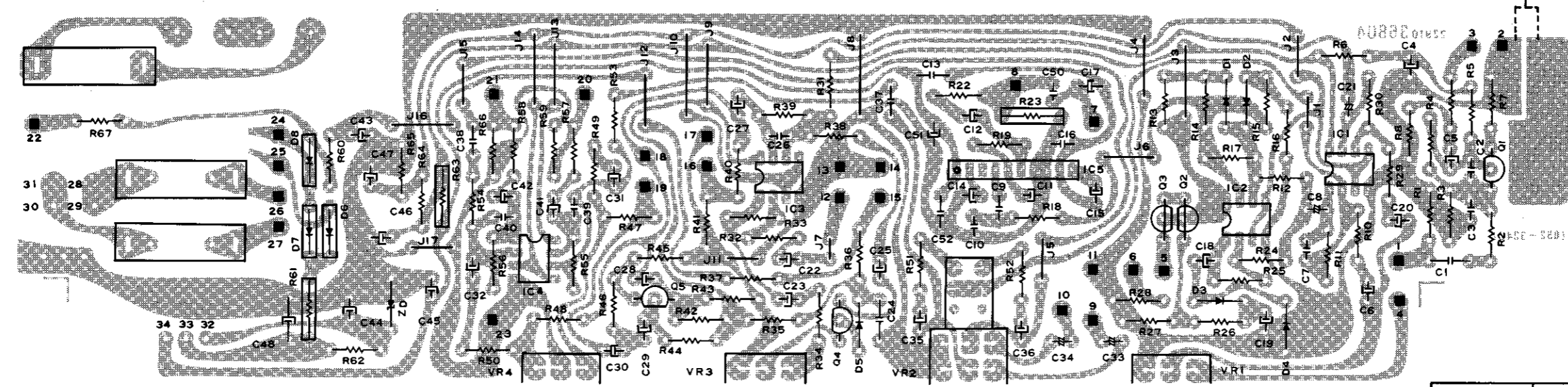
A B C D E F G H I J K L M N O P Q R S T U V W X Y Z



EFFECT BOARD 7310606005 (pcb 2291036804 or 052-324C)
 ET3106-060-100V, ET3106-060-117V, ET3106-060-220V,
 ET3106-060-240V, ET3106-060-240V3P (Australia).
 Serial Number RV-100 243850-up
 RX-100 243400-up

When replacing ET board, make sure of grounding connection (small arrows in the above) and fuse values.

100/220V Jumper
 240V Australia 47Ω



	F1	F2, F3
100/117V	SGA 0.5A	SGA 0.5A
220/240V	CEE T100mA	CEE T250mA