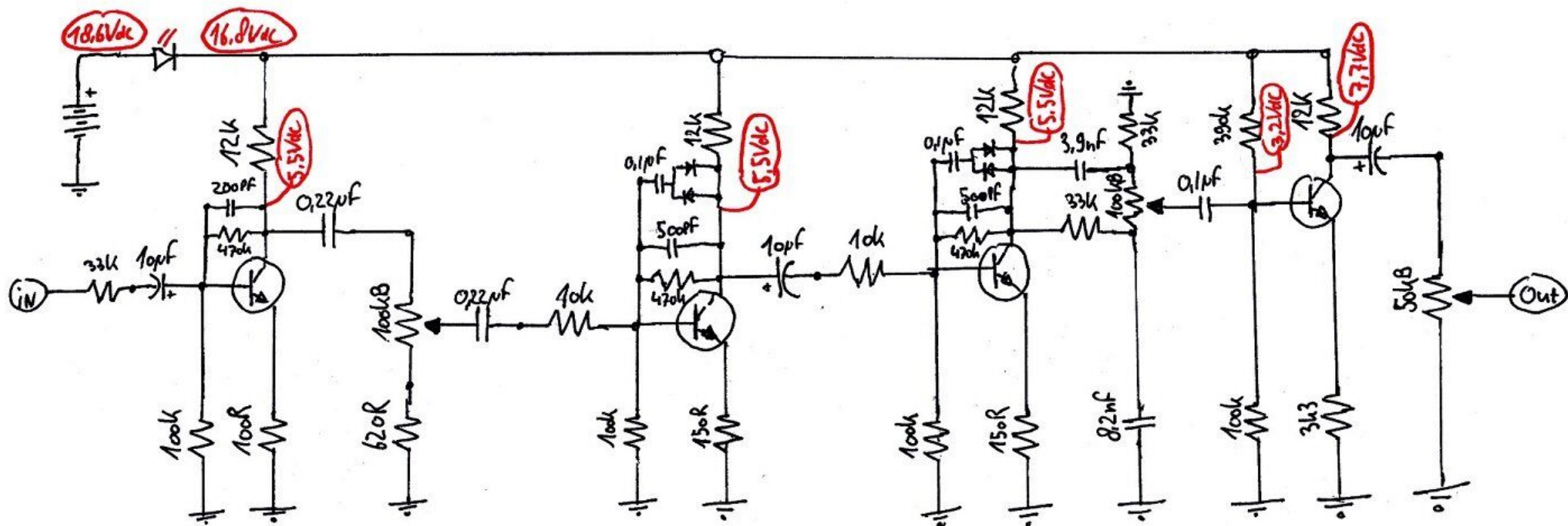


R022

Dead Heat



Q1-4: 2SC1000

Diodes Marked 'H'