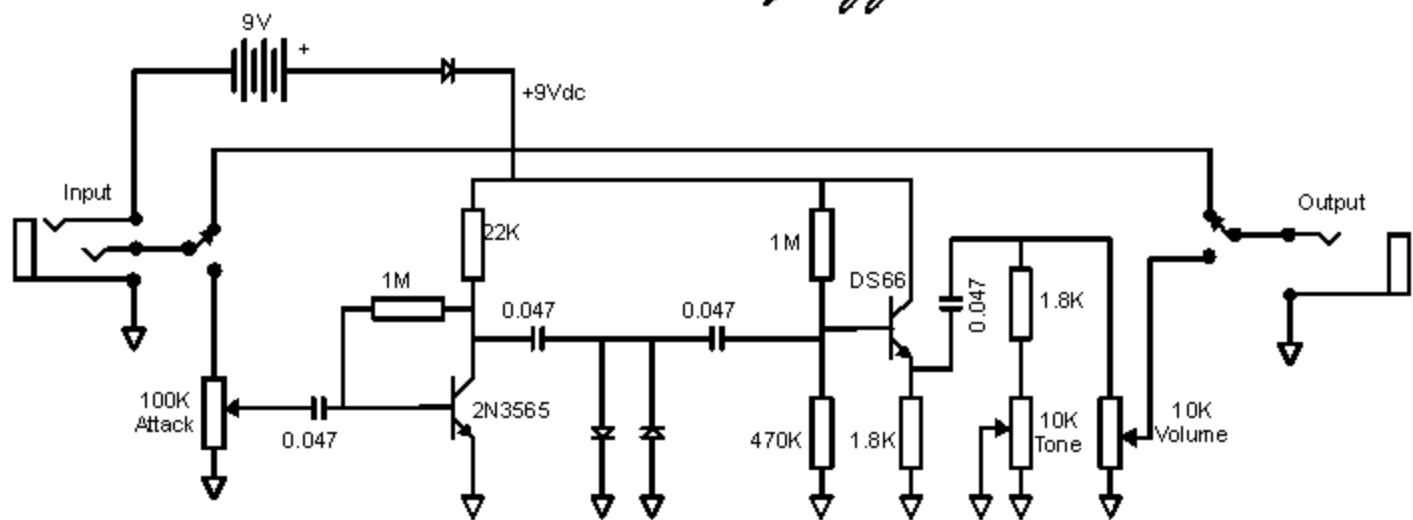


Sam Ash Fuzz



Diodes are unknown glass body diodes, probably silicon. DS66 is unknown type - but it's an emitter follower, so how hard can it be?