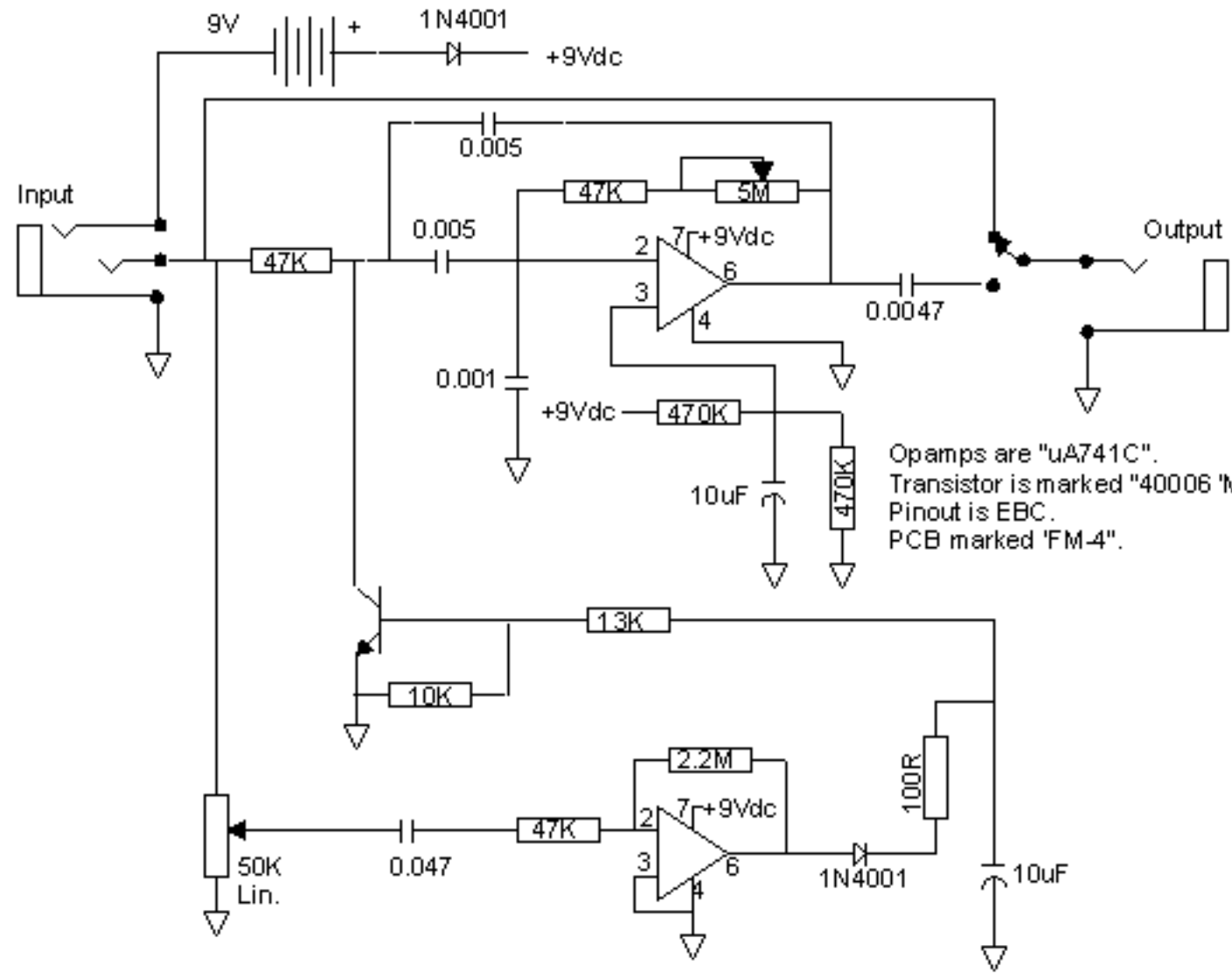


Seamoon Funk Machine



Opamps are "uA741C".
Transistor is marked "40006 'M' 251".
Pinout is EBC.
PCB marked 'FM-4'.