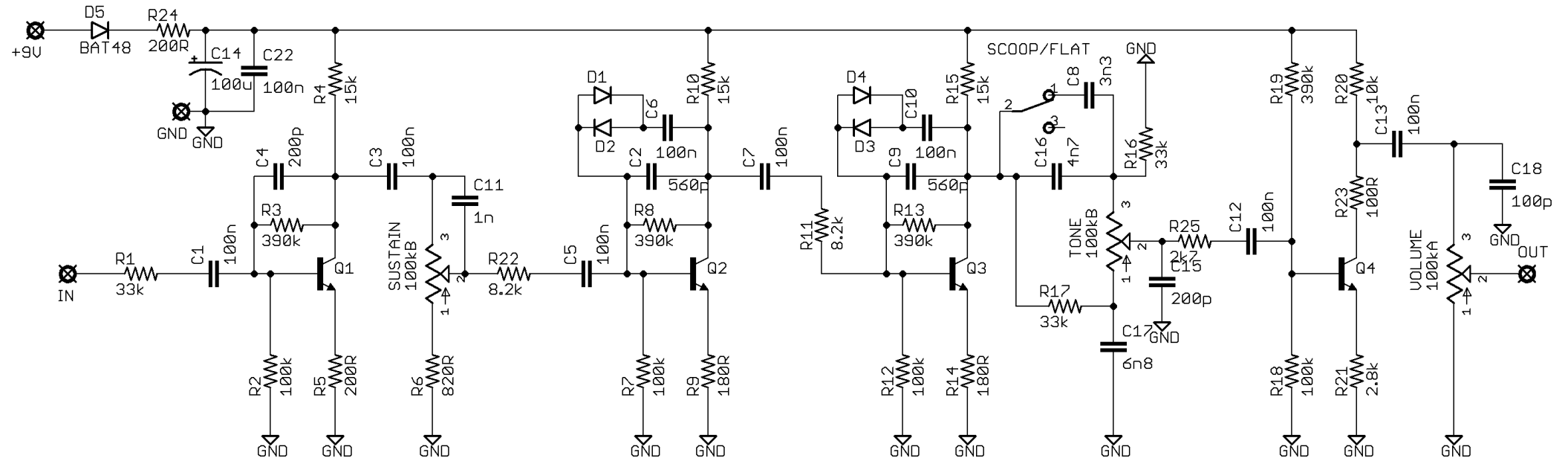


# Skreddy Cognitive Dissonance MKIII



Transistors are 70s/80s Central or CDIL 2n5088s  
 D1-4 are Fairchild 1n914  
 All resistors are carbon comp type except R9 and R14 which are carbon film type  
 All non-polarized capacitors are ceramic except C1, C8 and C17 which are metallized polyester film  
 Unit traced is #53, built 11-22-2011  
 Part numbering matches that of silkscreen on board

CogDis	
12/8/11 4:35 PM	
Sheet: 1/1	