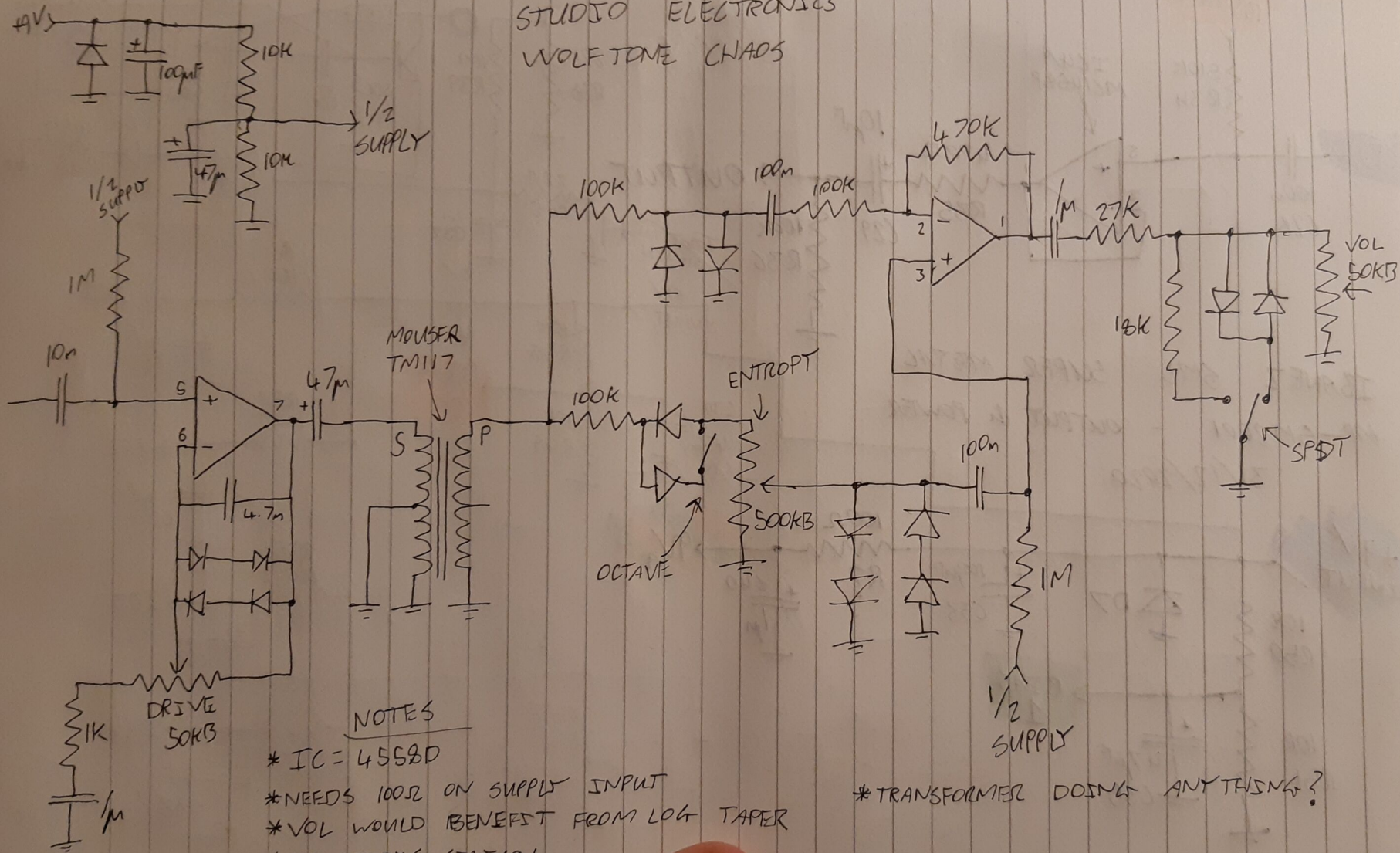


STUDIO ELECTRONICS WOLF TONE CHAOS



NOTES

- * IC = 4558D
- * NEEDS 100Ω ON SUPPLY INPUT
- * VOL WOULD BENEFIT FROM LOG TAPER
- * ALL DIODES SILICON

* TRANSFORMER DOING ANYTHING?