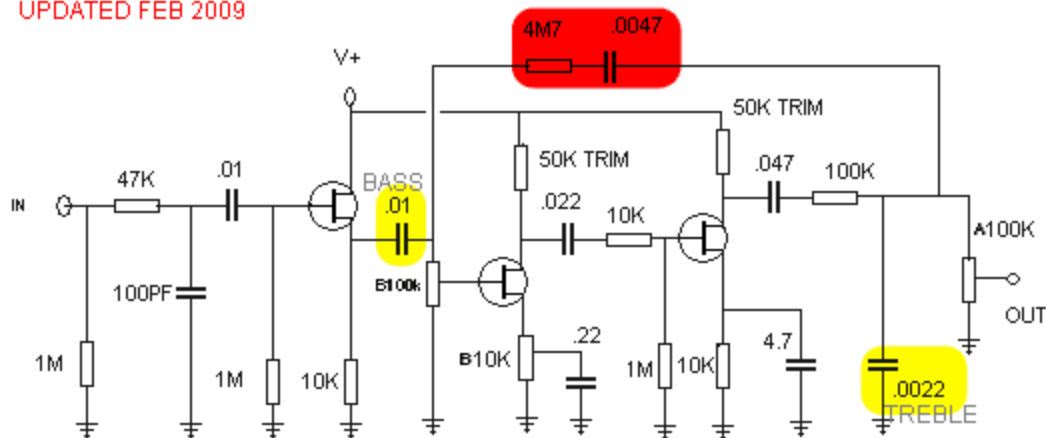


Subdecay Liquid Sunshine 2004

Brian Marshall

UPDATED FEB 2009



Notes:

Updated Feb 2009. For best results use 2N5458 jfets. The RED highlighted area has been eliminated from the production version as of 2006. The Yellow highlighted areas indicate the location within the circuit where the internal bass and treble switches are located. You can use a DPST switch between alternate capacitors or a SPST switch to add/subtract capacitors. It may be a good idea to breadboard this circuit before building it to select the best sounding transistors by ear, and if you want to include the boost/cut switches, you may find capacitor values which better suit your gear or playing style.

Subdecay Studios, Inc. ©2009