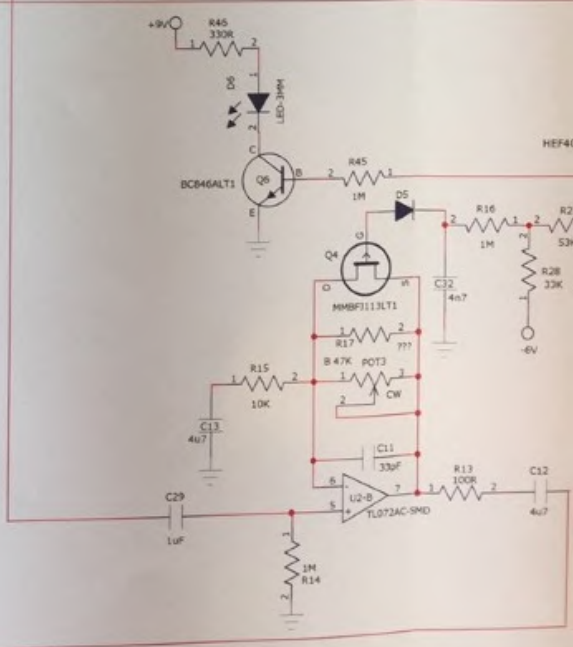
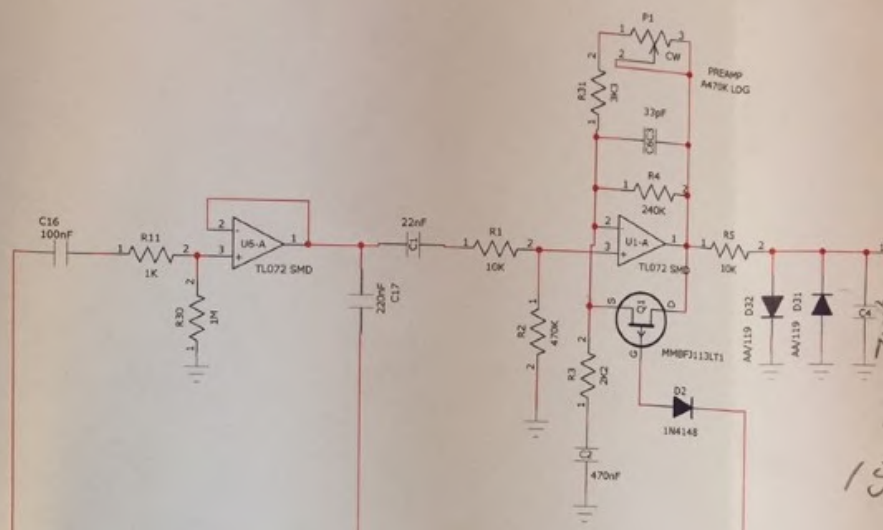
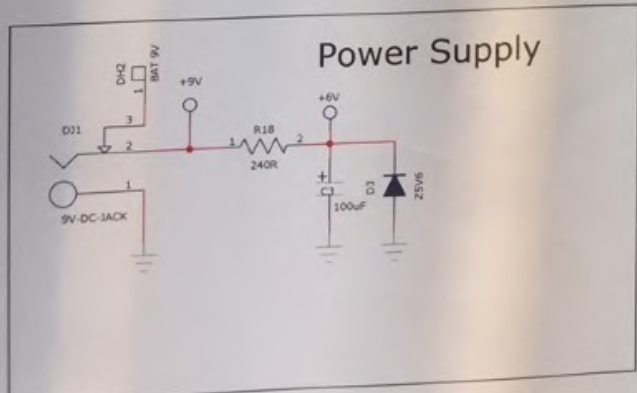
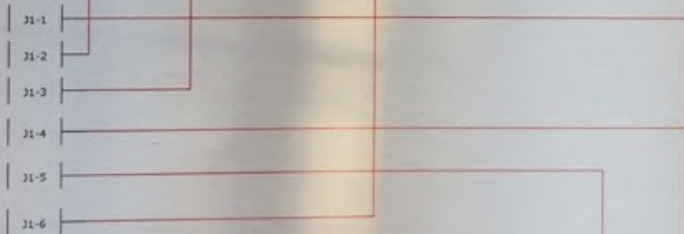
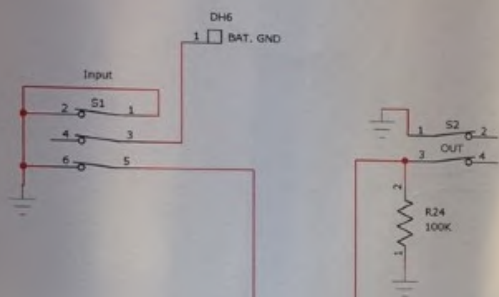


D

C

B

A

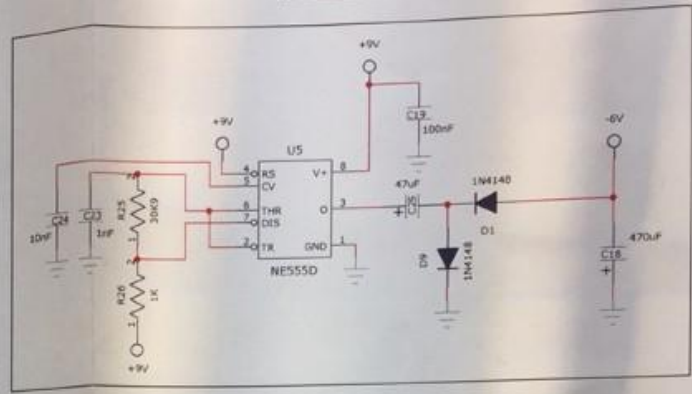
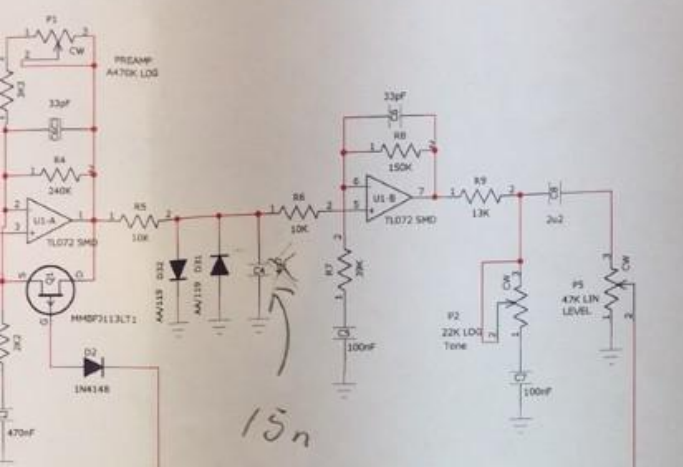


3

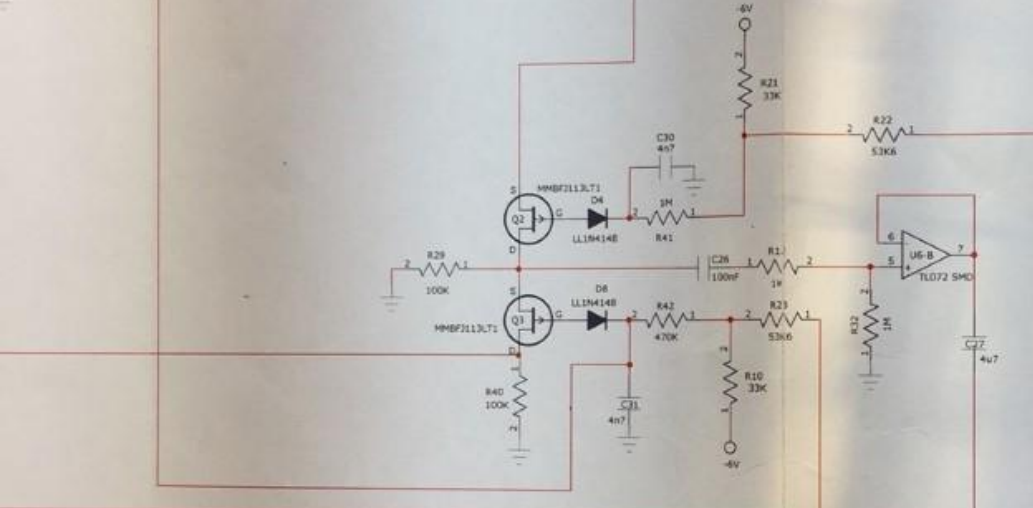
2

1

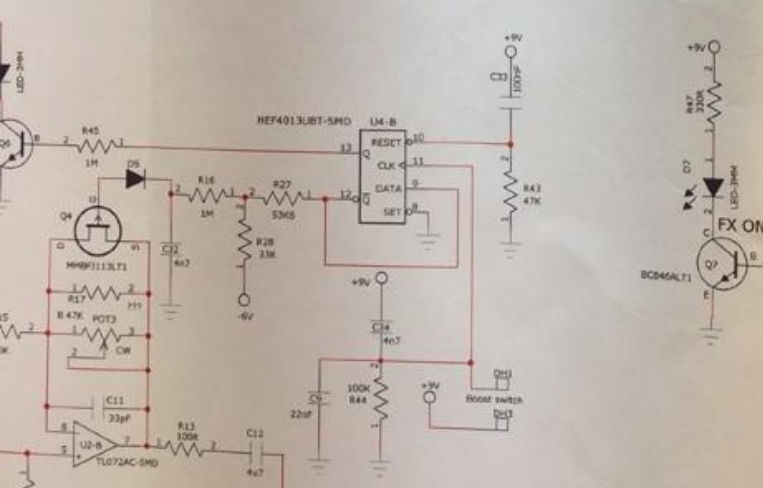
REVISION RECORD			
LTR	ECO NO:	APPROVED:	DATE:



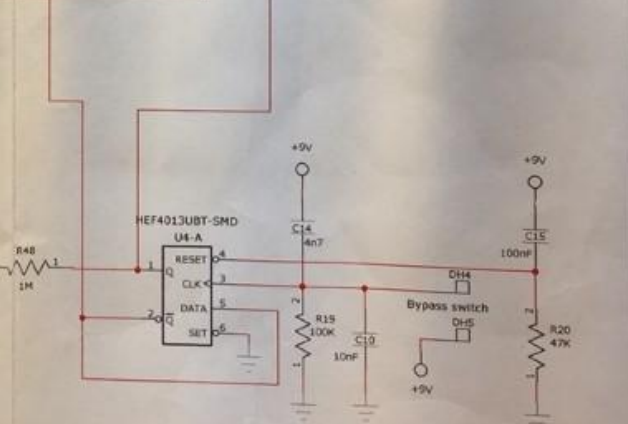
D



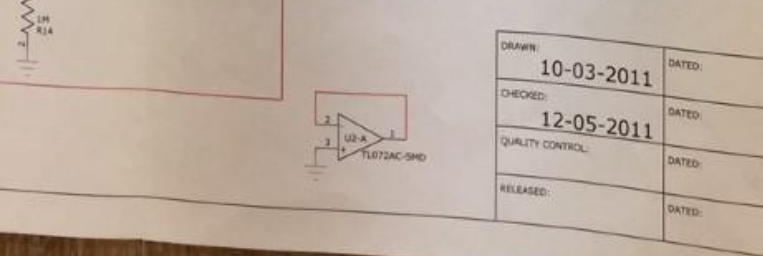
C



B



A



DRAWN:	10-03-2011	DATED:	
CHECKED:	12-05-2011	DATED:	
QUALITY CONTROL:		DATED:	
RELEASED:		DATED:	

COMPANY: T-rex Engineering			
TITLE: Hobo Drive			
CODE:	SIZE:	DRAWING NO:	REV:
		V1.2.3	
SCALE:			SHEET: OF