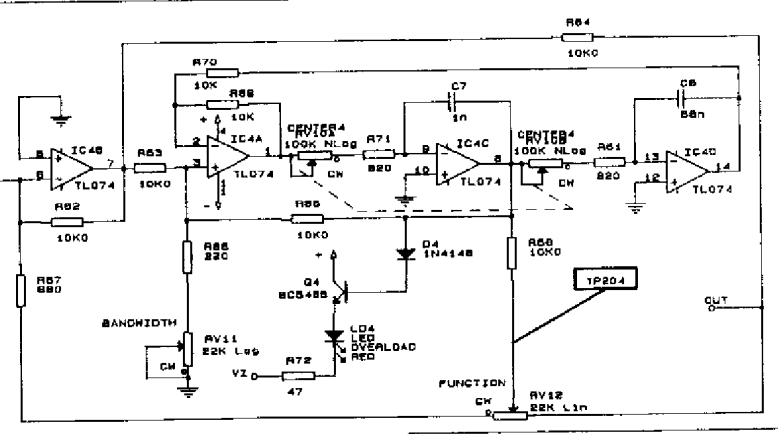
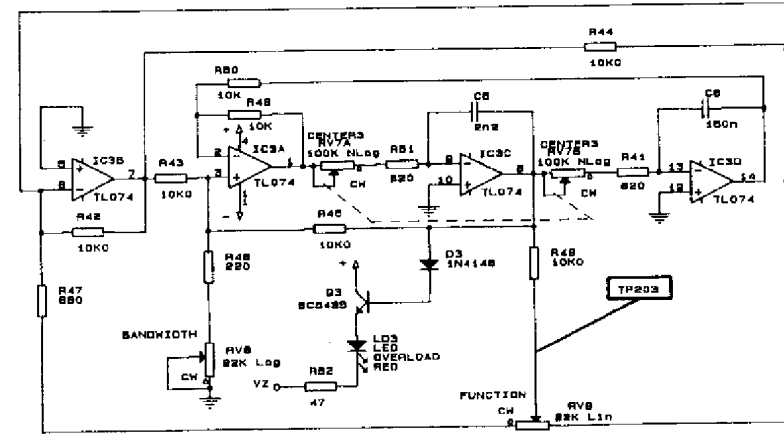
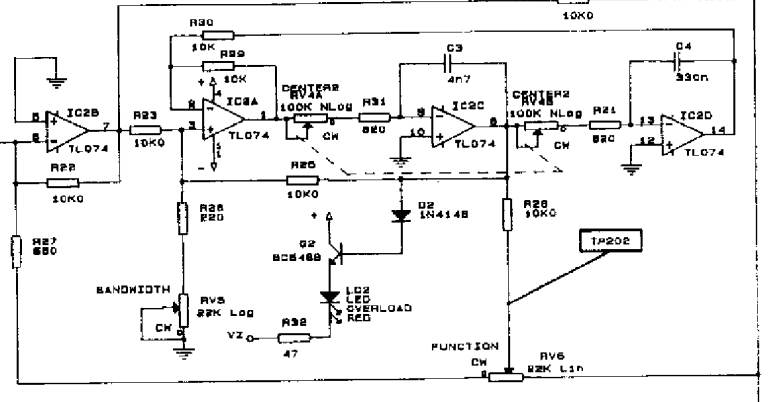
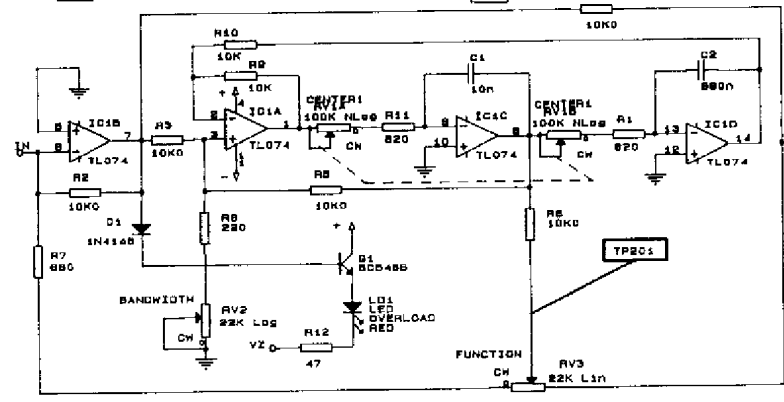
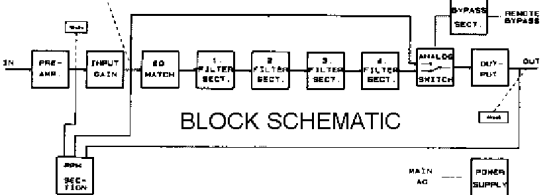


|                 |                                    |
|-----------------|------------------------------------|
| T.C. ELECTRONIC |                                    |
| 1113            | SCHMATIC FOR TC 1140/TC 1144 (1/0) |
| 1113            | Document Number                    |
| 1140EQ01.SCH    | REV                                |
| March 8, 1988   | Sheet 1 of 2                       |

BLOCK SCHEMATIC



|                 |                                       |
|-----------------|---------------------------------------|
| T.C. ELECTRONIC |                                       |
| 1113            | SCHMATIC FOR TC1140/TC1144 EQ-SECTION |
| 1113            | Document Number                       |
| 1140EQ01.SCH    | REV                                   |
| March 15, 1988  | Sheet 2 of 2                          |