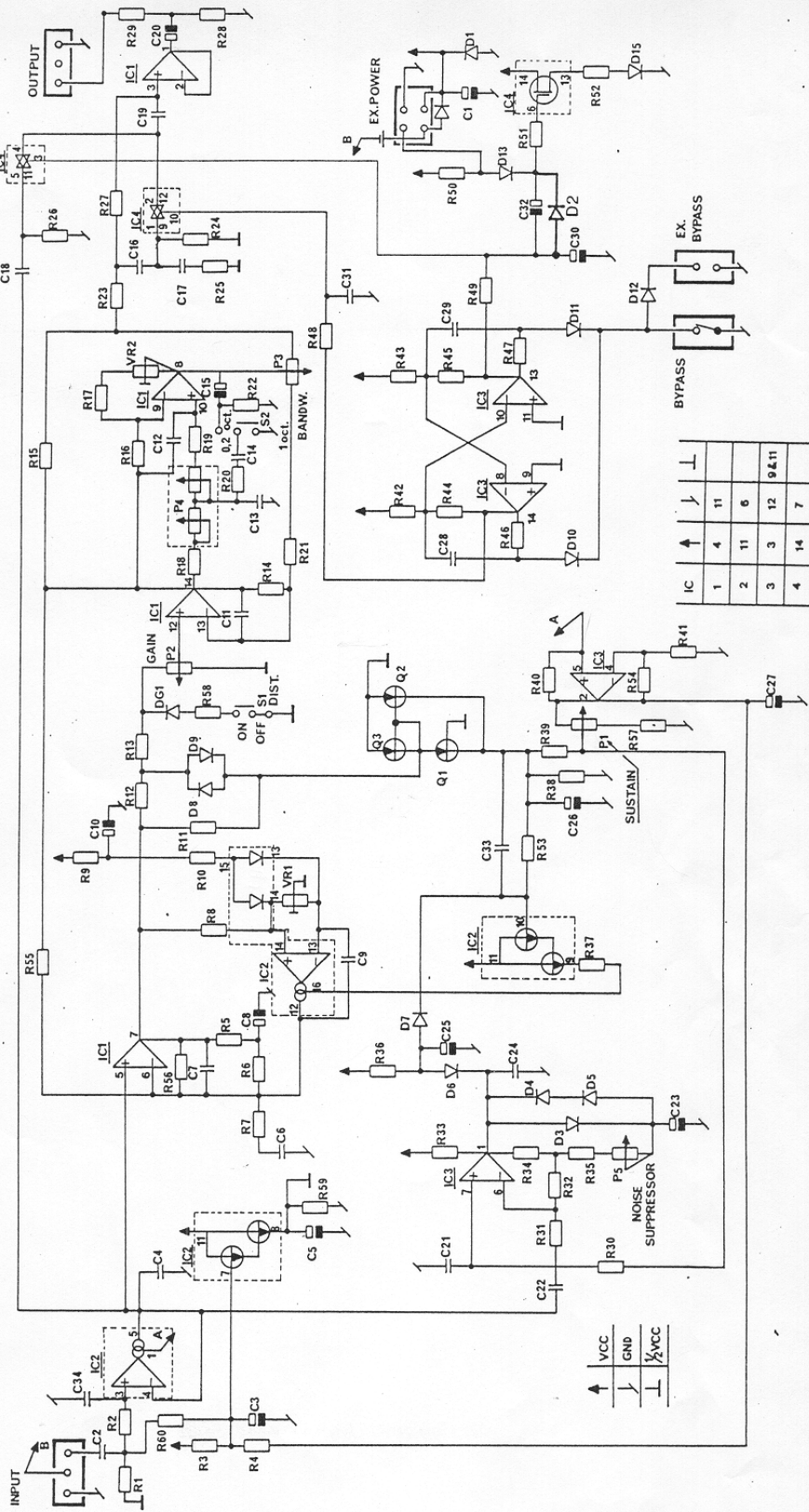
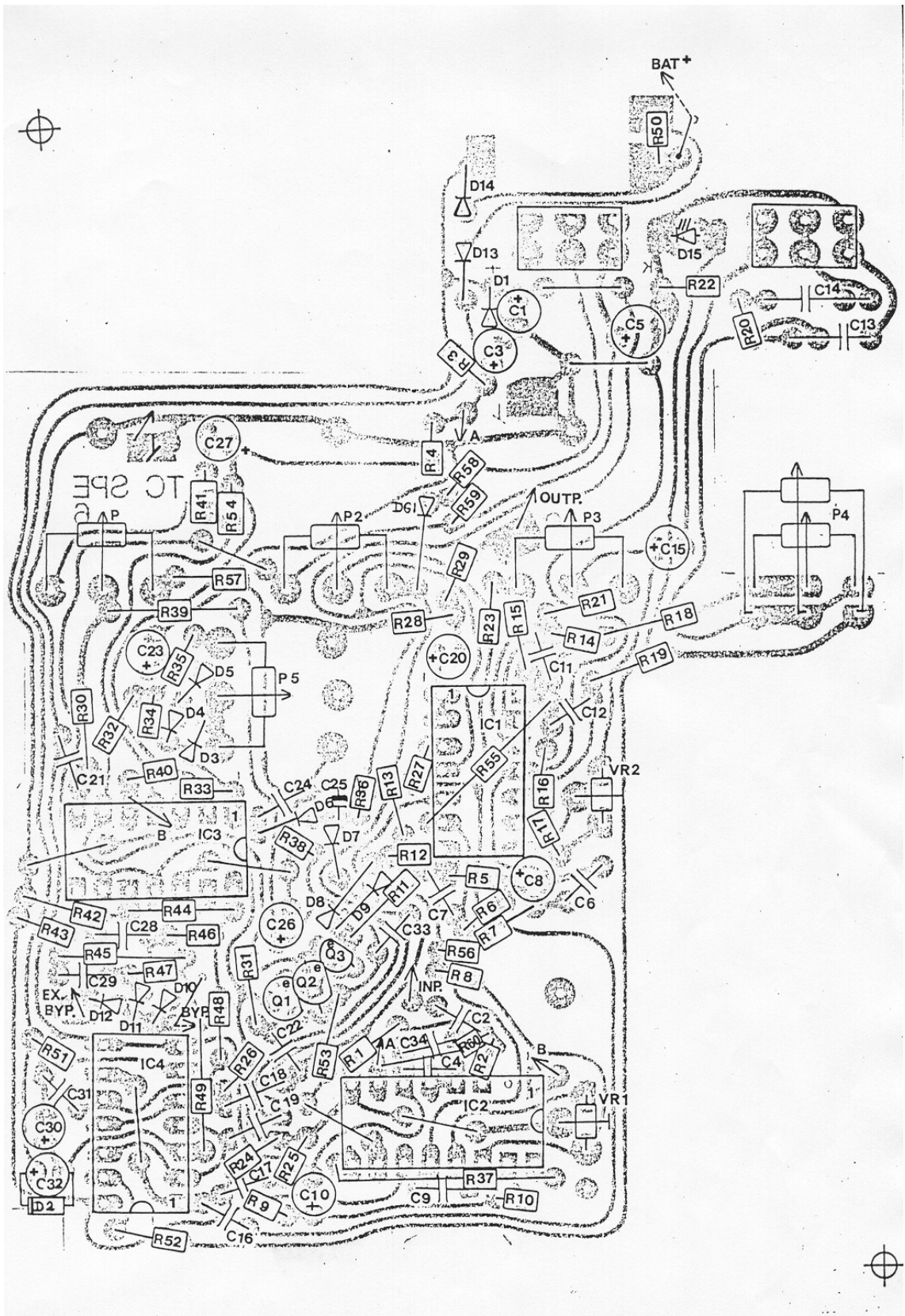


SPE 6



DATE 8/10/70	DRG. L28	TITLE SCHEMATIC TC SUSTAIN + PAR. EQUALIZER	DRG. NO. 1601-6
8/4/72	CRH FHJ		
8/7/72	LF 06	PART OF Doc. SPE version 05-06	OF DENMARK <b>t.c. electronic</b>



DATE	DRG.	APP.	TITLE	DRG. NO.
810701			PARTS LAYOUT SUSTAIN + PAR. EQ	1601-6
840307 BRH				
871112 JF	SCALE	MAT.	PART OF	OF DENMARK
			doc. SPE 06	t.c. electronic

RESISTORS

R 1	1	MOhm	R21	150	Ohm	R41	100	KOhm
R 2	2,2	KOhm	R22	47	KOhm	R42	47	KOhm
R 3	22	KOhm	R23	47	KOhm	R43	47	KOhm
R 4	22	KOhm	R24	470	KOhm	R44	22	KOhm
R 5	100	KOhm	R25	6,8	KOhm	R45	22	KOhm
R 6	6,8	KOhm	R26	220	KOhm	R46	6,8	MOhm
R 7	1	KOhm	R27	2,2	MOhm	R47	6,8	MOhm
R 8	4,7	KOhm	R28	10	KOhm	R48	2,2	MOhm
R 9	10	KOhm	R29	47	Ohm	R49	220	KOhm
R10	10	KOhm	R30	2,2	MOhm	R50	10	MOhm
R11	10	KOhm	R31	100	KOhm	R51	470	KOhm
R12	2,2	KOhm	R32	1	MOhm	R52	1,5	KOhm
R13	4,7	KOhm	R33	220	KOhm	* R53	1,0	MOhm
R14	1,5	KOhm	R34	1,5	MOhm	R54	120	KOhm
R15	1,5	KOhm	R35	1,5	KOhm	R55	4,7	MOhm
R16	10	KOhm	R36	1	MOhm	R56	2,2	MOhm
R17	1	KOhm	R37	680	Ohm	R57	470	KOhm
R18	680	Ohm	R38	10	MOhm	R58	1,5	KOhm
R19	680	Ohm	R39	2,2	MOhm	R59	10	KOhm
R20	47	Ohm	R40	22	KOhm	* R60	6,8	MOhm

\* R53 1MOhm to 2,2MOhm  
 \* R60 1MOhm to >10MOhm  
 (According to test procedure)

VARIABLE RESISTORS

VR 1	1	KOhm	SELECTED
VR 2	1	KOhm	

CAPACITORS

C 1	10	uF	25V	ellyt	C21	22	nF	plaq.	
C 2	47	nF	20%	poly. 2e	C22	22	nF	plaq.	
C 3	10	uF	10V	ellyt(mini)	C23	1	uF	50V	ellyt
C 4	100	pF		plaq.	C24	22	nF	plaq.	
C 5	22	uF	10V	ellyt	C25	1	uF	50V	ellyt(mini)
C 6	47	nF	10%	poly. 2e	C26	470	nF	35V	tantal
C 7	100	pF		plaq.	/C27	4,7	uF	16V	ellyt(mini)
C 8	10	uF	16V	ellyt(mini)	C28	2,2	nF	plaq.	
C 9	220	pF		plaq.	C29	2,2	nF	plaq.	
C10	22	uF	16V	ellyt	C30	470	nF	50V	ellyt
C11	2,2	nF		plaq.	C31	47	nF	20%	poly. 2e
C12	10	nF	20%	poly. 2e	C32	470	nF	35V	tantal
C13	47	nF	10%	poly. 3e	C33	47	nF	20%	poly. 2e
C14	100	nF	10%	poly. 3e	C34	220	pF	plaq.	
C15	10	uF	10V	ellyt(mini)					
C16	100	nF	20%	poly. 2e					
C17	10	nF	20%	poly. 2e					
C18	68	nF	20%	poly. 2e					
C19	47	nF	20%	poly. 2e					
C20	10	uF	16V	ellyt(mini)					

TRANSISTORS

Q1-Q3 BC 558-B

POTENTIOMETERS

P1	100	KOhm	LIN
P2	47	KOhm	LOG
P3	4,7	KOhm	LIN
P4	100	KOhm	NEGL0G
			STEREO
P5	470	KOhm	LOG
			(THRESHOLD)

INTEGRATED CIRCUITS

IC 1	XR 4212
	(Selected)
IC 2	LM 13600/13700
	(Selected)
IC 3	LM 339
IC 4	MC 4007-UB

DIODES

D 1	1N4001
D 2-14	1N4148
D15	SBR3431 (red 3mm)
D6 1	AA/119

860811/JF

PAGE 1 OF 1