

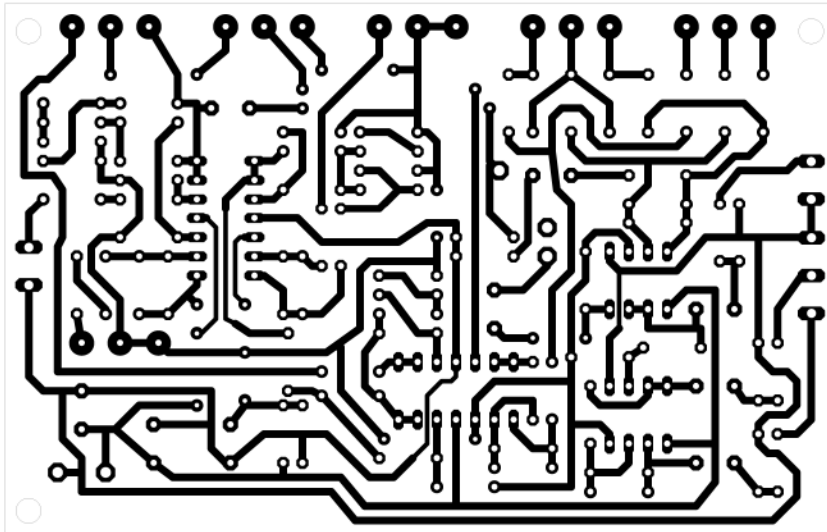
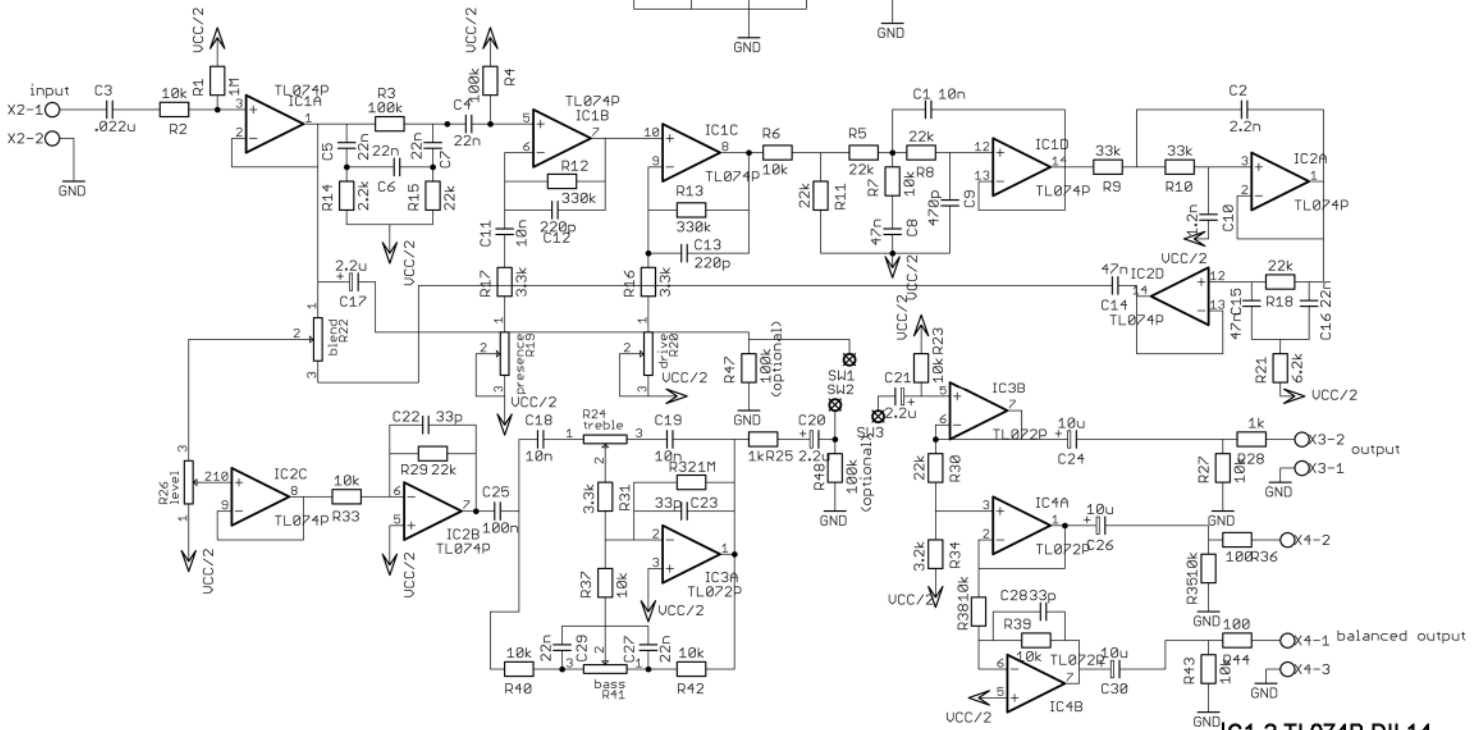
TRIANGULAR EAR BASS21

Traced by Diz (02/2006)

PCB by 12afael (21/08/2007)

PCB Version 3.0

Commercial use is forbidden



IC1-2 TL074P DIL14
IC3-4 TL072P DIL08

Part	Value
R1	1M
R2	10k
R3	100k
R4	100k
R5	22k
R6	10k
R7	10k
R8	22k
R9	33k
R10	33k
R11	22k
R12	330k
R13	330k
R14	2.2k
R15	22k
R16	3.3k
R17	3.3k
R18	22k
R19	100k pot presence
R20	100k pot drive
R21	6.2k
R22	100k pot blend
R23	10k
R24	100k pot treble
R25	1k
R26	100k pot level
R27	10k
R28	1k
R29	22k
R30	22k
R31	3.3k
R32	1M
R33	10k
R34	3.2k
R35	10k
R36	100
R37	10k
R38	10k
R39	10k
R40	10k
R41	100k pot bass
R42	10k
R43	10k
R44	10k
R45	10k
R46	10k
R47	100k
R48	100k

