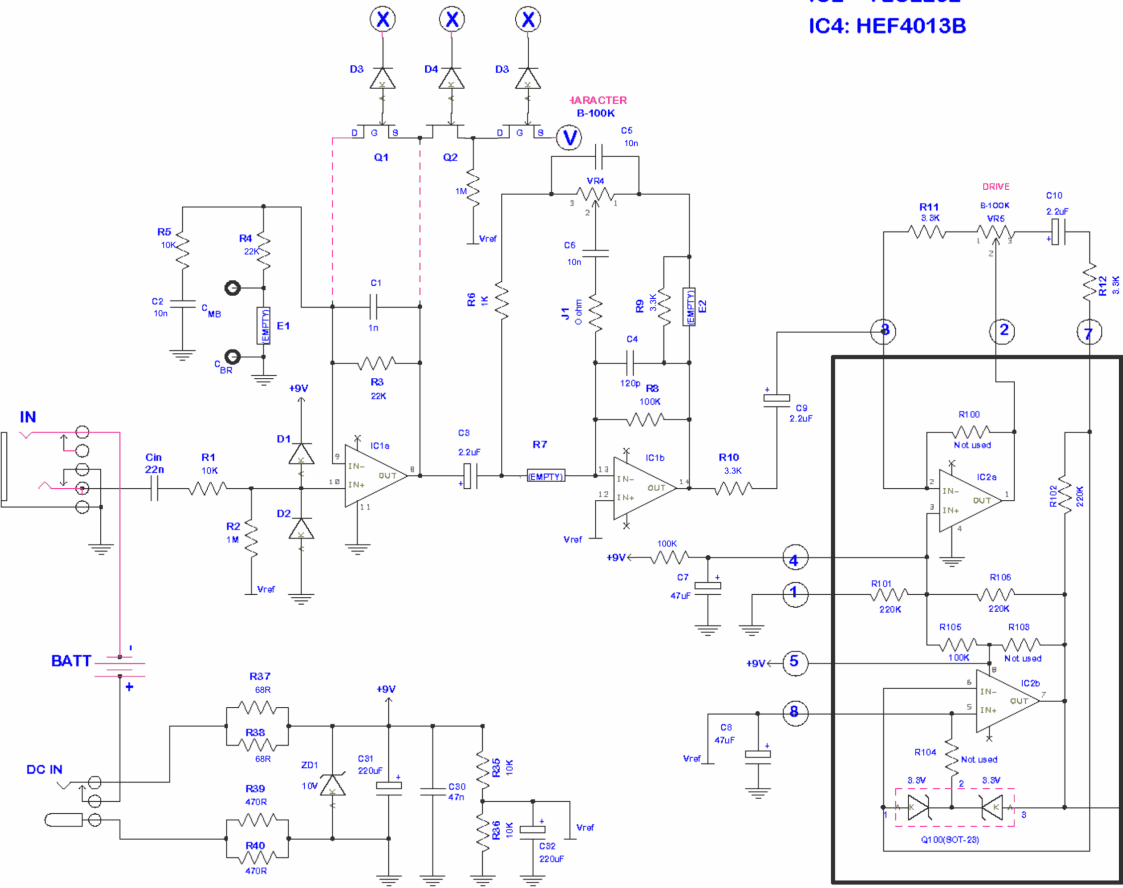
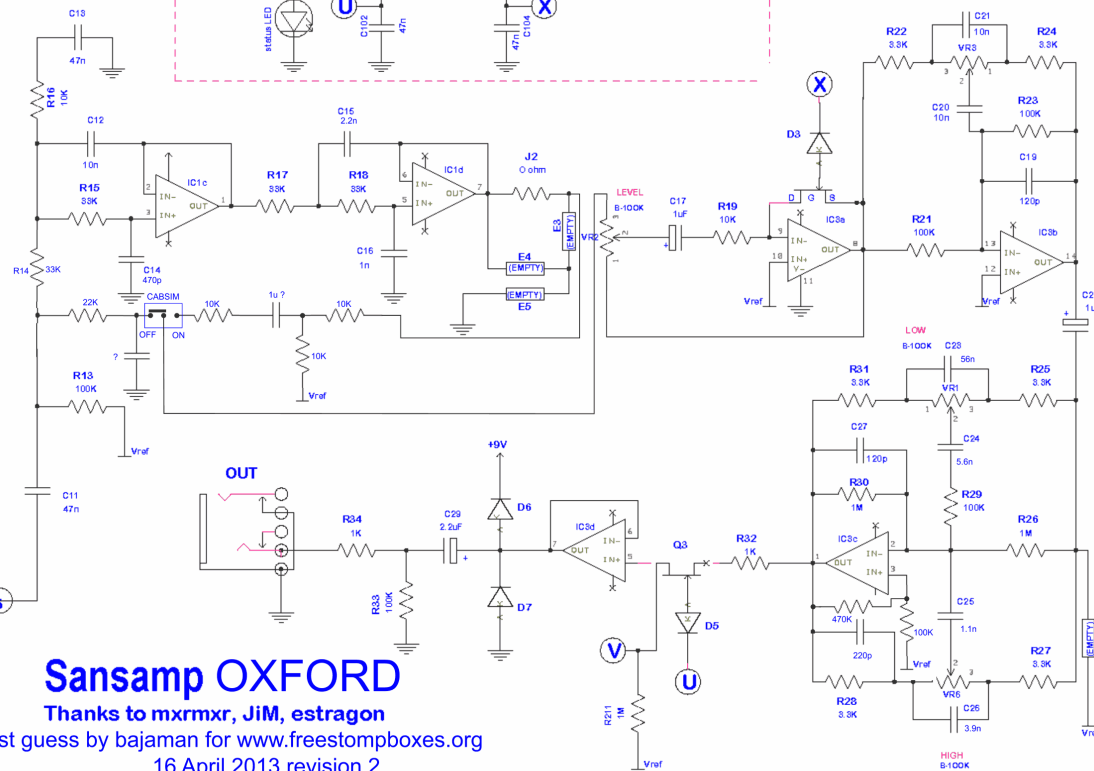
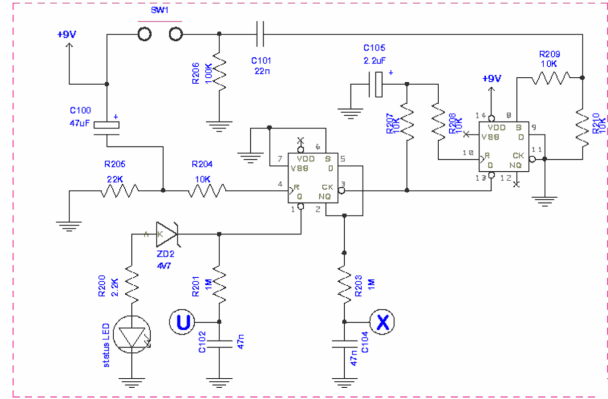


IC 1 & 3 = TLC2264
 IC2 = TLC2262
 IC4: HEF4013B



CH33-6



Sansamp OXFORD

Thanks to mxrnxr, JiM, estragon

Best guess by bajaman for www.freestompboxes.org

16 April 2013 revision 2
 corrected C14 and C15 values