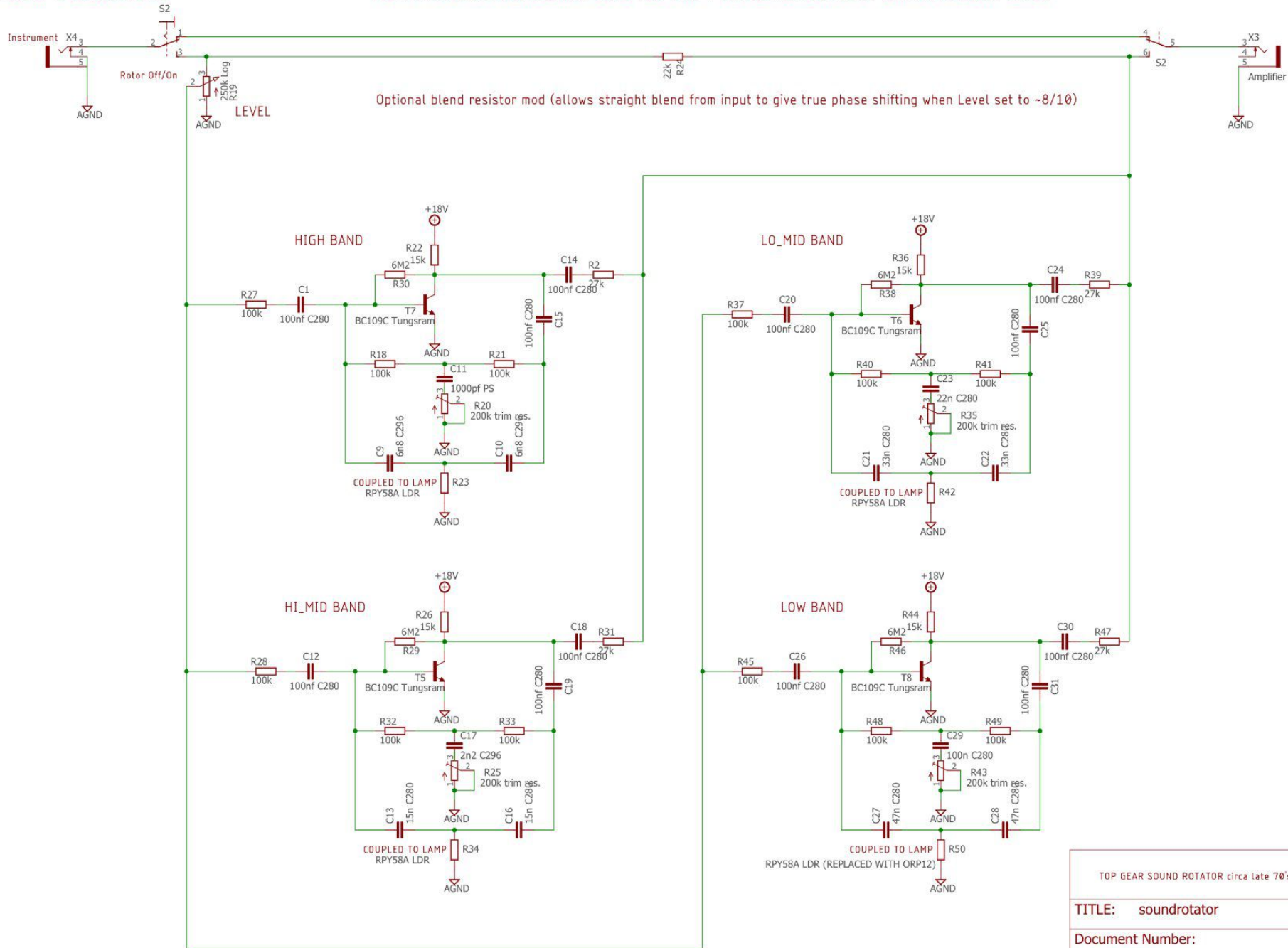


Requires Low-Z (Buffered) Drive

FOUR PARALLEL, ACTIVE, RESONANT BANDPASS "TWIN T" FILTERS WITH DIFFERENT OCTAVE FREQUENCY BANDS



TOP GEAR SOUND ROTATOR circa late 70's	
TITLE: soundrotator	
Document Number: Drawn DJPC 25/6/18	REV:
Date: 25/06/2018 14:34	Sheet: 2/2

