

MODEL EC-100

UNICORD
A Division of Gulf + Western Manufacturing Company
Westbury, N.Y. 11590

Unicord. a Division of Gulf + Western Manufacturing Company
89 Frost Street, Westbury, N.Y. 11590

Printed in Japan.



EC-100

Echo Chamber

OPERATING MANUAL

FEATURES

The Model EC-100 ECHO CHAMBER is equipped with a tape cartridge which will last substantially longer than an ordinary echo chamber with loop tape.

Quality Tone Reproduction is ensured because the record play heads are stationary with echo being varied by changing tape speed utilizing an electro-servo motor.

Solid-state (motor-control and amplifier) reduces speed deviation problems. Its light weight makes the EC-100 easy to handle.

INSTRUCTIONS

1. Open cover on rear of cabinet and remove line cord.
2. Insert cartridge into the "cartridge-compartment" (found inside rear storage compartment, on rear of chassis) with firm pressure until a sharp click is heard indicating cartridge is locked in operating position.
3. Connect audio type cable from high output of EC-100 to amplifier input jack. (If level is too high during operation, use low output jack).
4. Connect A.C. power cord to any convenient 117 VAC outlet.
5. Connect guitar or microphone to high-impedance input; or microphone to high or low impedance input, depending on mike impedance.

CONTROLS

1. Rotate Echo volume-control for desired level of sound.
2. Rotate Echo balance-control to achieve same level of sound as original signal.
3. Rotate Echo repeat-control for desired repeat sounds, and pull the same switch to play back for desired "Sound on Sound".
4. Rotate Echo delay for desired echo or reverb sound.

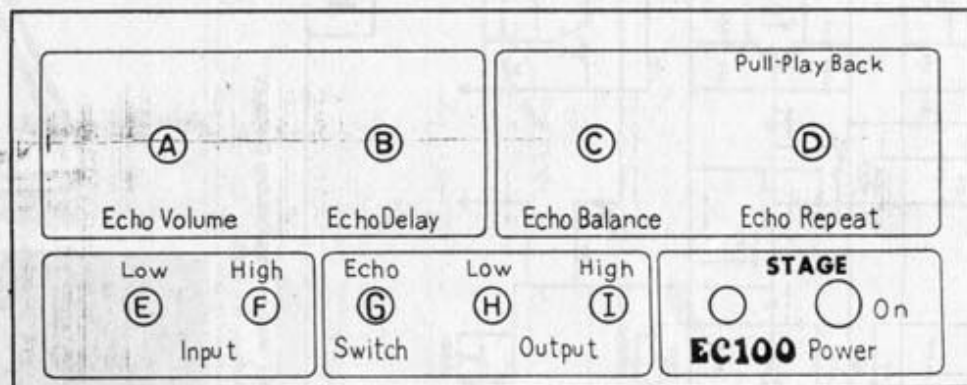
Note: In utilizing the various controls on the front panel, a multitude of echo and reverb sounds can be reproduced to enhance any signal device used with the model EC-100.

SERVICE HINTS

1. If machine is to be stored for any period of time, it is recommended that the cartridge be removed to prevent a flat spot from forming on pinch roller.
2. Replacement cartridges available from your dealer or directly from Unicord, 89 Frost Street, Westbury, N. Y. 11590 Cost \$10.00.
3. Clean heads regularly with head cleaner or alcohol. Be sure to use either swabs provided or Q-Tips. Do not use a sharp instrument.
4. The model EC-100 should be in upright position during operation and away from any hum field-producing devices such as amplifier transformers, etc.

Operating Procedure EC-100 for minimum Background noise.

1. Plug instrument into input jack(F), ("E" if low impedance source).
2. Connect Audio Cable from jack(I) to input of amplifier. Connect to (H) if gain is too high.
3. Jack(G) echo switch, connect to remote foot switch (optional), for remote "Echo" on/off capabilities.
4. Turn control (A) echo volume, to maximum.
Utilize amplifier volume control as master volume.
5. Adjust (B), echo delay, for desired delay.
6. Turn control (C), echo balance, for desired echo return.
7. Adjust (D), echo repeat, for the number of repeats desired. If pull (D), available to play "Sound on Sound", and recorded sounds being played back after 4 or 8 minutes, it is possible to enjoy playing and mixing with direct sound during playback.



STAGE ECHO MACHINE is warranted to be free of defects and is guaranteed for one year, provided warranty card is returned to Unicord within seven days of purchase. Terms of warranty are indicated on warranty card!

MODEL NO. _____ SERIAL NO. _____

RECORD & RETAIN SERIAL NUMBER.
(LOCATED ON REAR OF UNIT).

"WARNING - to prevent fire or shock hazard, do not expose this appliance to rain or moisture."