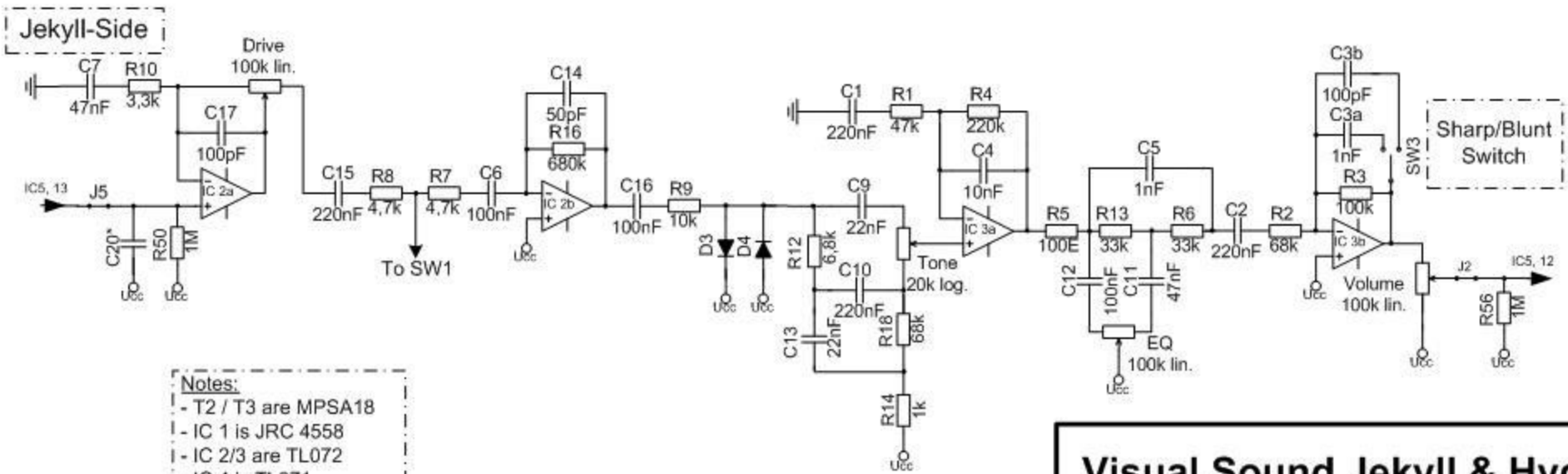
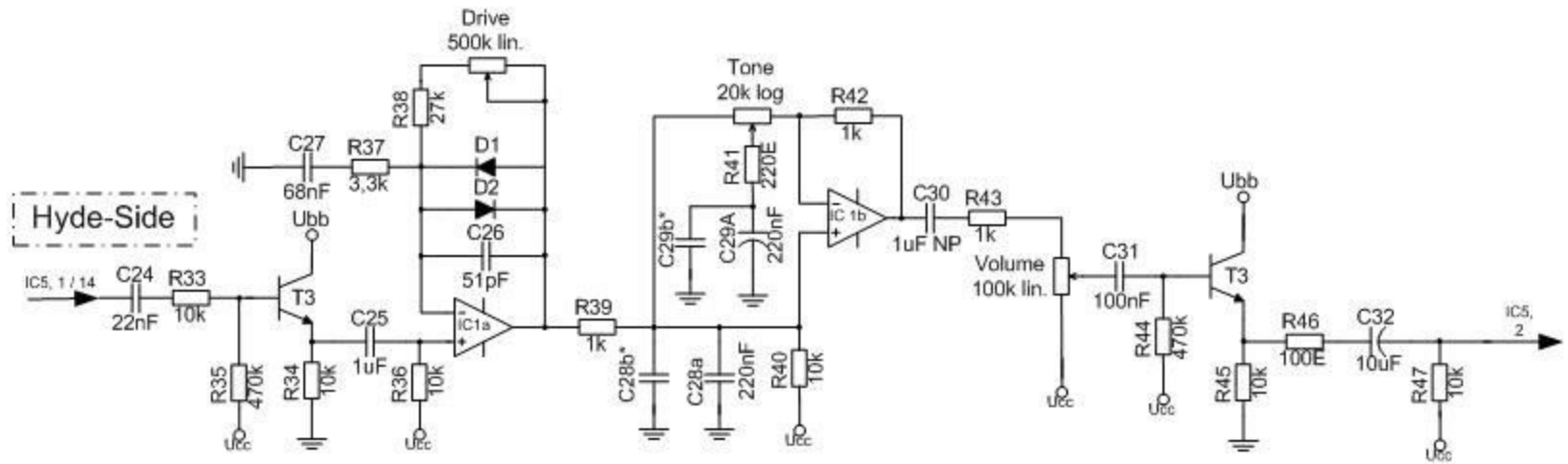


**Notes:**  
 - grey Verison, LB5, 1997  
 - upgrades to newer versions are unknown!  
 - Circuit not tested!

<b>Visual Sound Jekyll &amp; Hyde</b>	
REV. : 1.1	Date: Juli 2005
Sheet: 1/2	Drawn by KHE



- Notes:**
- T2 / T3 are MPSA18
  - IC 1 is JRC 4558
  - IC 2/3 are TL072
  - IC 4 is TL071
  - IC 5 is TC4053bp
  - D1 - D4 are 1N4148
  - Components with \* are not placed!

<b>Visual Sound Jekyll &amp; Hyde</b>	
REV. : 1.1	Date: Juli 2005
Sheet: 2/2	Drawn by KHE