



BOOSTERS

V806 - V810 - V816

SERVICE INFORMATION

Thomas Organ Company • National Service Department • Sepulveda, California

REPLACEMENT PARTS LIST

TREBLE BOOSTER V806

Location	Part Number	Description
C1	09-7351-0	.002 MFD (Durmica Cap.)
C2	18-5124-3	10 MFD 15V (Electro)
C3	09-6206-0	.1 MFD 100V (Disc Cap.)
R1	60-10401	100 K Ohm
R2	60-22301	22 K Ohm
R3	60-22201	2.2 K Ohm
R4	60-27201	2.7 K Ohm
R5	60-10201	1 K Ohm
	09-6203	Chrome Case (Less Phone Plug & Cover Assy.)

BASS BOOSTER V810

C1-C3	18-5124-3	10 MFD 15V (Electro.)
C2-C4	09-6206-0	.1 MFD 100V (Disc Cap.)
R1	60-10401	100 K Ohm
R2	60-22301	22 K Ohm
R3	60-10201	1 K Ohm
R4	60-47201	4.7 K Ohm
R5	60-20101	200 Ohm
	09-6208-0	Chrome Case (Less Phone Plug & Cover Assy.)

DISTORTION BOOSTER V816

C1-C3	09-6206-0	.1 MFD 100V (Disc Cap.)
C2	18-5124-3	10 MFD 15V (Electro.)
R1	60-10301	10 K Ohm
R2	60-22301	22 K Ohm
R3	60-47001	47 Ohm
R4	60-47201	4.7 K Ohm
R5	60-10201	1 K Ohm
	09-6207-0	Chrome Case (Less Phone Plug & Cover Assy.)

ALL BOOSTERS

J1	09-102-0	Input Phone Jack
SW1	09-6201-0	On/Off Power Switch
	09-6202-0	Battery Clip & Cable Assy.
	09-6204-0	Phone Plug & Cover Assy.
	09-6205-0	Mtg. Screws (Dozen lots only)
	66-5000-0	9V Transistor Battery
All Transistors	86-5044-2	Transistor (Grn./Yellow)
P1 - Output Phone Plug		- Part of 09-6204-0 Phone Plug & Cover Assy.

NOTE: Use factory replacement parts only.

All resistors 10% 1/2W.

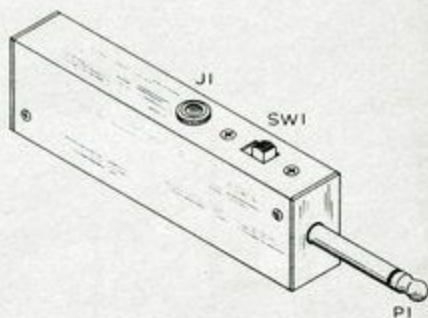
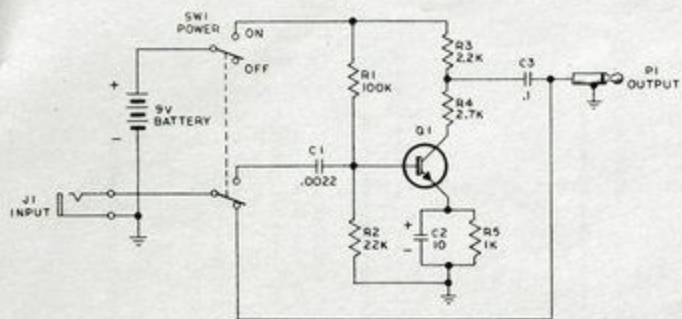
Manufactured By
THOMAS ORGAN COMPANY
SEPULVEDA, CALIFORNIA, under license from

JENNINGS MUSICAL INDUSTRIES LTD.
DARTFORD, KENT, ENGLAND

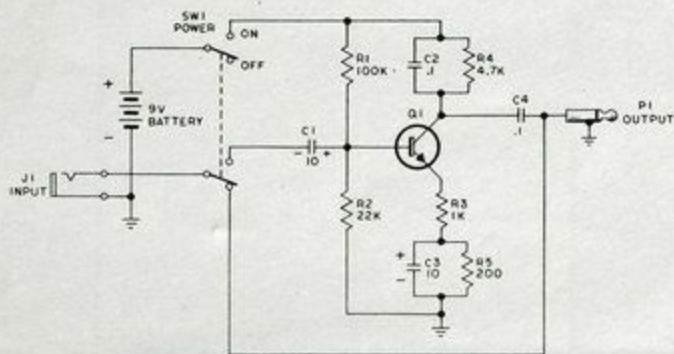
Printed in U.S.A.

June 1966

TREBLE BOOSTER



BASS BOOSTER



DISTORTION BOOSTER

