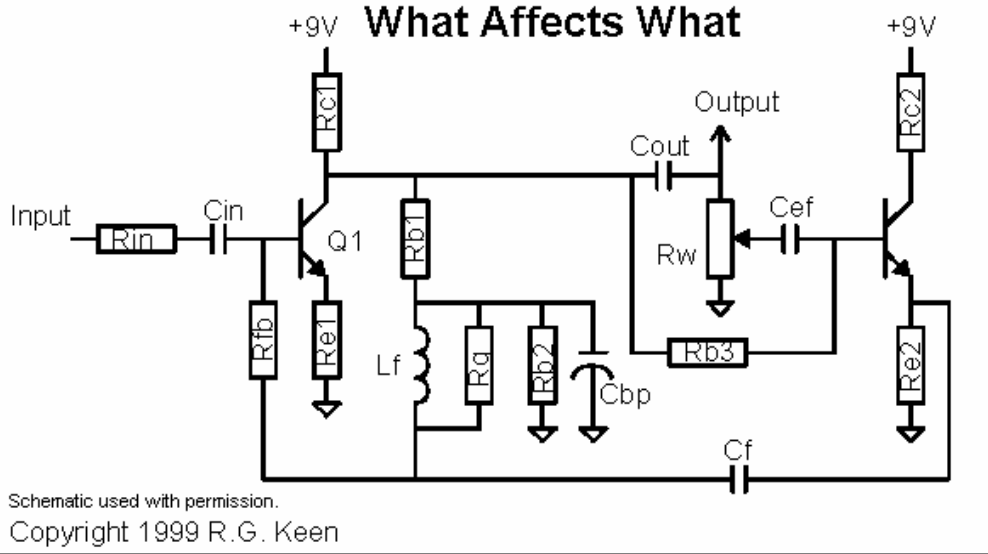


What Affects What



Schematic used with permission.
Copyright 1999 R.G. Keen

	* CryBaby	Vox Grey	* Vox v847	Vox McCoy	Shinei	Boomerang	Colorsound	
Rin	68k	68k	68k	68k	30k [*1]	47k [*1]	100k	Smaller values makes wah slightly louder
Cin	.01u	.01u	.01u	.01u	.05u [*1]	.047u [*1]	0.01u	
Rfb	1k5	1k5	1k5	1k5	1k2	4k7	1.5k	Larger values smooth bass to treble transition
Re1	470R	470R	470R	470R	470R	120R	jumper	Smaller values increase overall gain and bass
Rc1	22k	22k	22k	22k	22k	10k	22k	
Rb1	470k	470k	470k	470k	470k	1M5	470k	
Rq	33k	omitted	33k	100k	100k	47k	omitted	Affects sharpness of wah; larger values more vocal
Rb2	82k	82k	82k	100k	omitted	omitted	100k	
Cbp	4u7	4u7	4u7	4u	10uf	6uf	10uf	
Rb3	470k	470k	470k	470k	470k	omitted	470k	
Cout	.22u	.22u	.22u	.22u	.2u	1uf	0.22u	
Rw	100k	100k	100k	100k	50k	25k	100k	Larger values are supposed to brighten the circuit
Cef	.22u	.22u	.22u	.22u	.2u	1uf	0.22u	
Rc2	1k	1k	1k	1k	1k2	jumper [*2]	jumper	
Re2	10k	10k	10k	10k	10k	8k2	10k	
Cf	varies	.01u	.01u	.01u	.03u	.01u	0.01u	Controls sweep range; .068u=bass wah
Inductor	500mH	250mH	500mH	500mH	500mH	500mH	550mH	

535mH

If you haven't, you must read http://geofex.com/Article_Folders/wahped1/wahped.htm.

This schem is based on a Vox, so the schem differences are noted below.

*1 Cin comes before Rin

*2 there is a 620k from Q2's Collector to Base

Note: One schematic I found had the Crybaby's Cef and Cout listed as .001u. Other schems and my crybaby had .22u caps, so I went with that on the table.

Wah pot advice from Wah-master Geoffrey Teese:

"Here's a little trick that will make all this "Icar taper" stuff moot. Locate the .22uF cap that feeds the wiper of the wah pot. Replace the original .22uF with a .33uF. That's it. Use this with the standard Dunlop HotPotz to simulate the Icar taper. I've given this modification away to a few people and it can be found in a few "relatively new" wah brands out there, as part of their secret sound. Since this is my original modification and not something I learned from another source, as well as not something I use (since I have my own pots), I have no qualms about sharing it with everyone. Sure, you won't get the Icar taper mimicked 100%, but it will go a LONG way in reproducing the effect I think you're looking for. This will make pot replacement MUCH less of a headache. I do NOT recommend using this modification with any "Icar taper" pots as issues can develop under certain circumstances."

Comparison chart by Travis Brown.

***Vox King Wah** ***Dunlop 535Q**