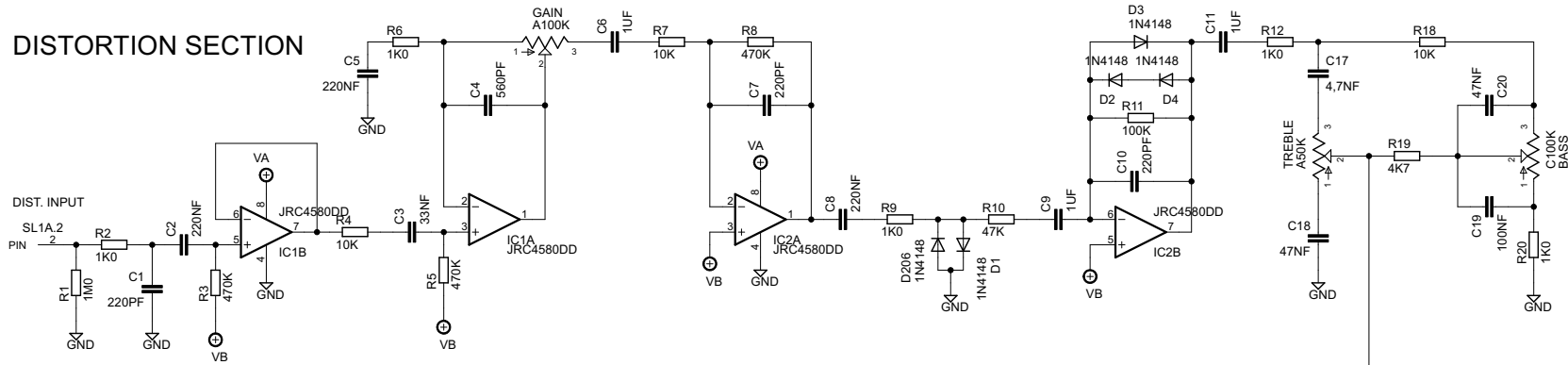
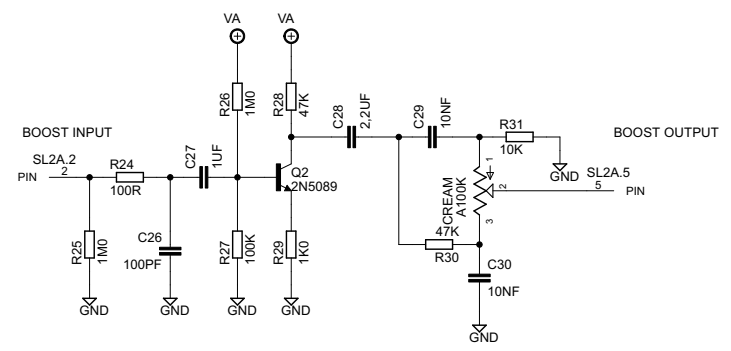


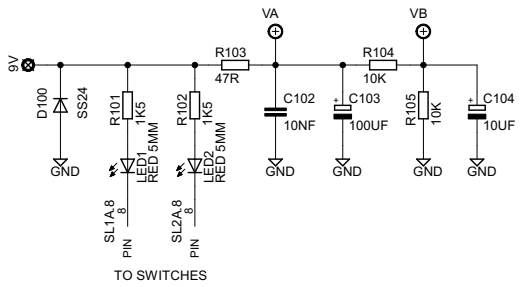
DISTORTION SECTION



BOOST SECTION



POWER SECTION



DIST. OUTPUT

BOOST OUTPUT

TITLE: TRIPLE_WRECK	
Document Number:	REV:
Date: nicht gespeichert!	Sheet: 1/1