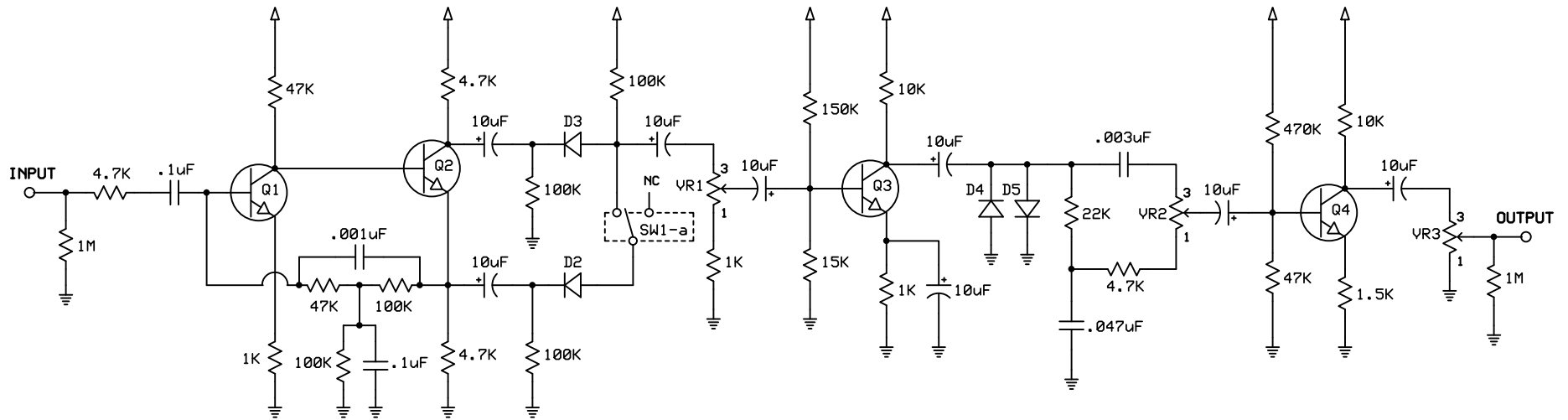
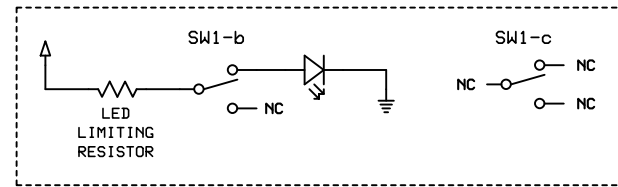
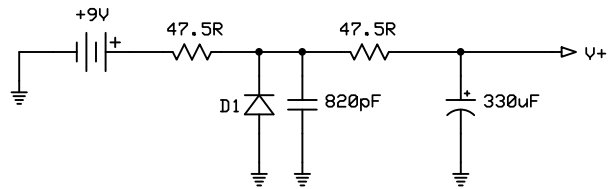


**\* POWER SUPPLY**



- D1: 1N4001
- D2, D3, D4, D5: 1N60 (Germanium)
- Q1, Q2, Q3, Q4: 2N3565 (NPN)
- SW1-OCTAVE: 3PDT (drawn in 'ON' state)
- VR1-FUZZ: 50K(B)
- VR2-TONE: 50K(B)
- VR3-VOLUME: 50K(B)

THIS SCHEMATIC IS NOT INTENDED FOR COMMERCIAL PURPOSES  
[HTTP://WWW.FREESTOMPBOXES.ORG](http://www.freestompboxes.org)

<b>"PIERCING MOOSE"</b>		
<b>WAY HUGE ELECTRONICS</b>		
drawn by: Timm H.	Rev 1.0 4/5/2011	<b>viva la FSB!</b>