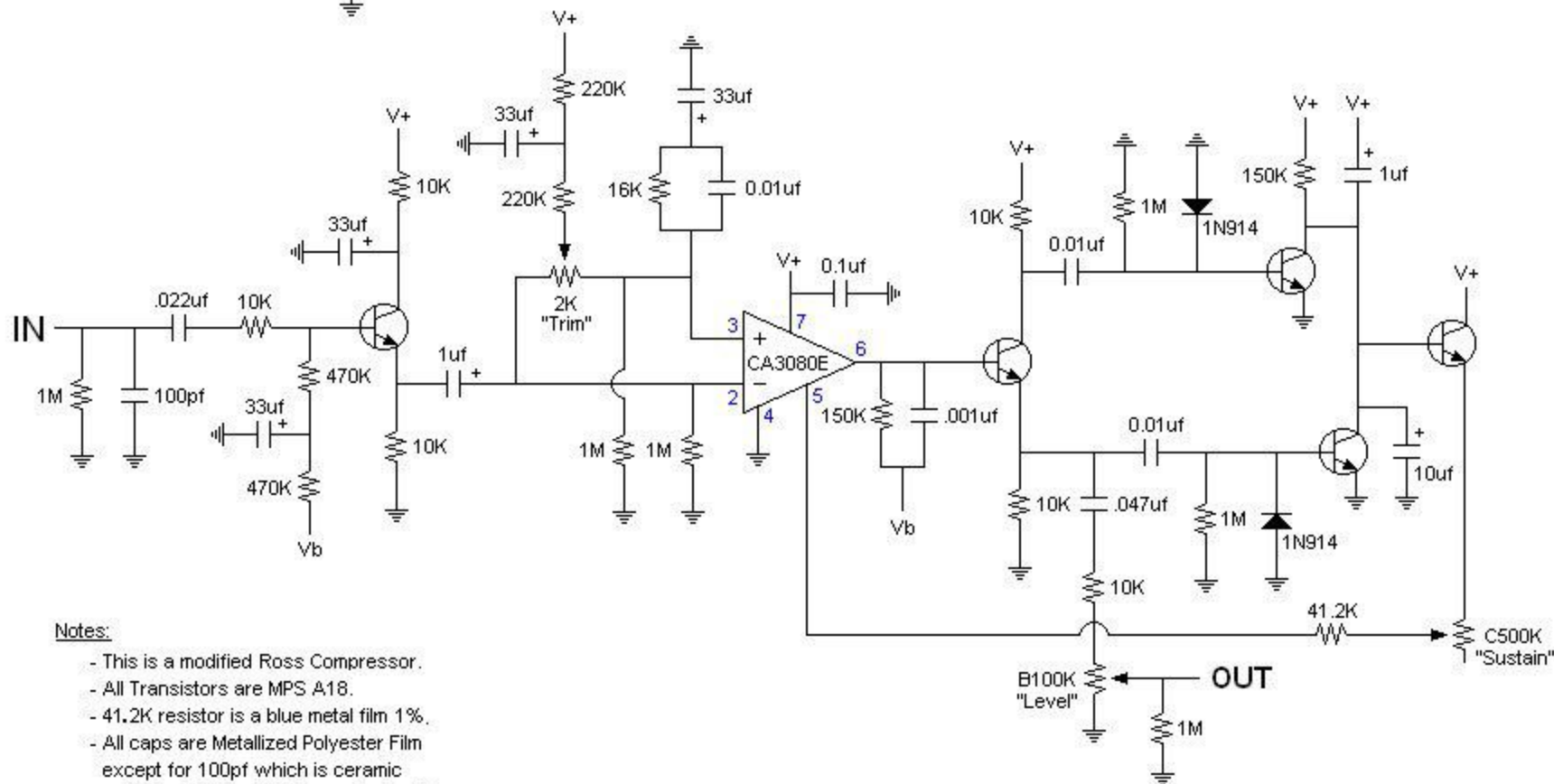


Schematic for Reference Only!

Ross Clone in a Squeeze

Drawn by Steve Cerutti



Notes:

- This is a modified Ross Compressor.
- All Transistors are MPS A18.
- 41.2K resistor is a blue metal film 1%.
- All caps are Metallized Polyester Film except for 100pf which is ceramic and the 33uf/1uf/10uf are Electrolytics.