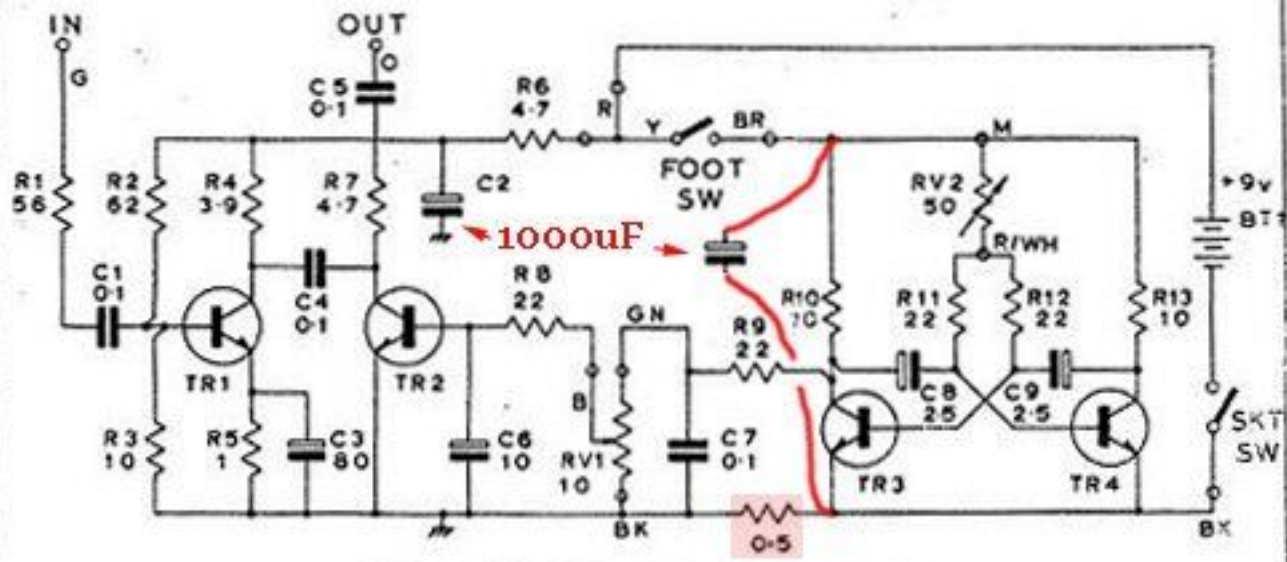


ALL TRANSISTORS 2N706
 * CAPACITORS IN μF
 ALL RESISTORS IN $k\Omega$

COLOUR CODE
 B ~ BLUE. M ~ MAUVE.
 BR ~ BROWN. O ~ ORANGE.
 BX ~ BLACK. R ~ RED.
 G ~ GREY. WH ~ WHITE.
 GN ~ GREEN. Y ~ YELLOW.



W.E.B WILSIC ELECTRONICS.