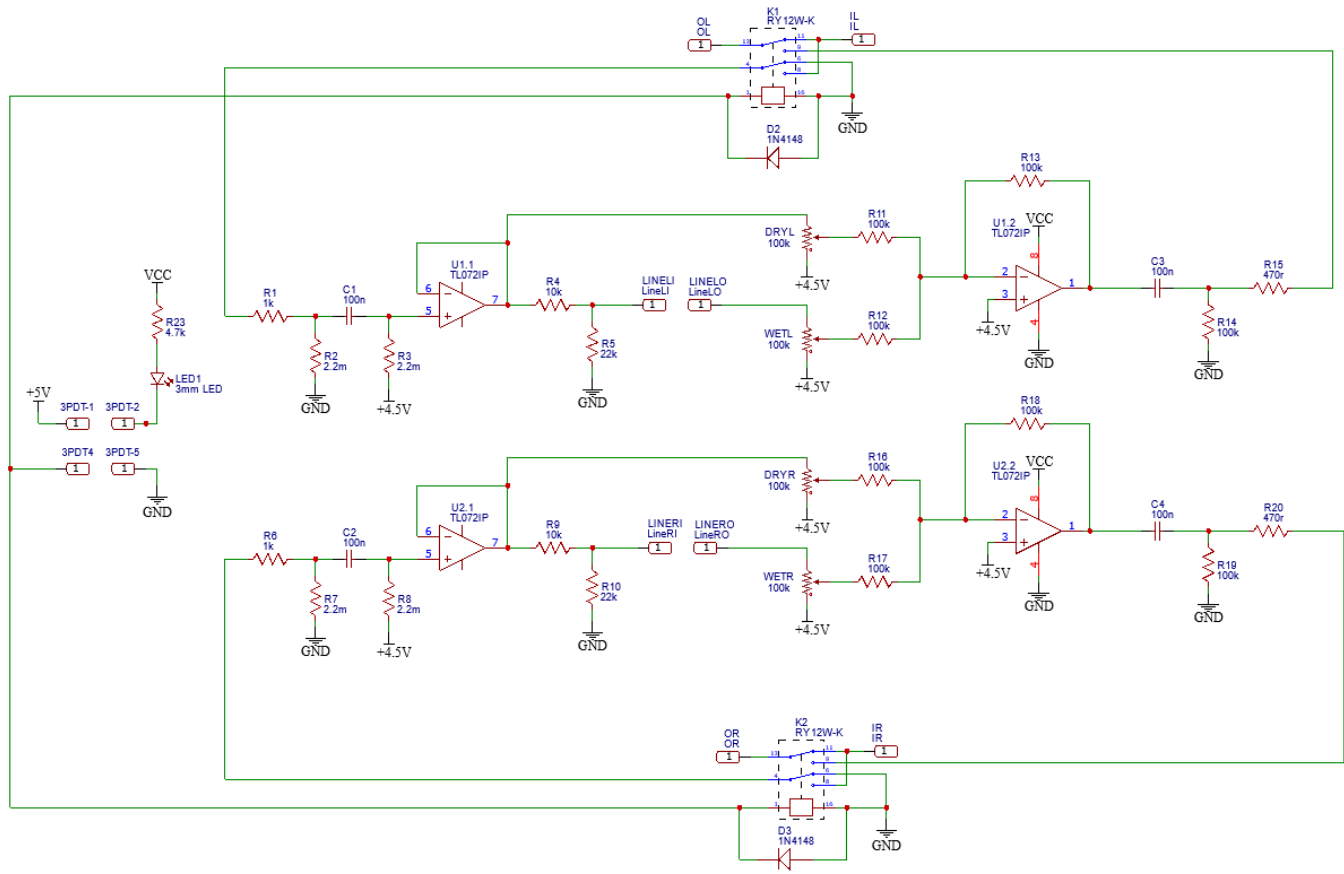


Relay bypass switching (1 of 2)



Teensy has Audio Board Attached

