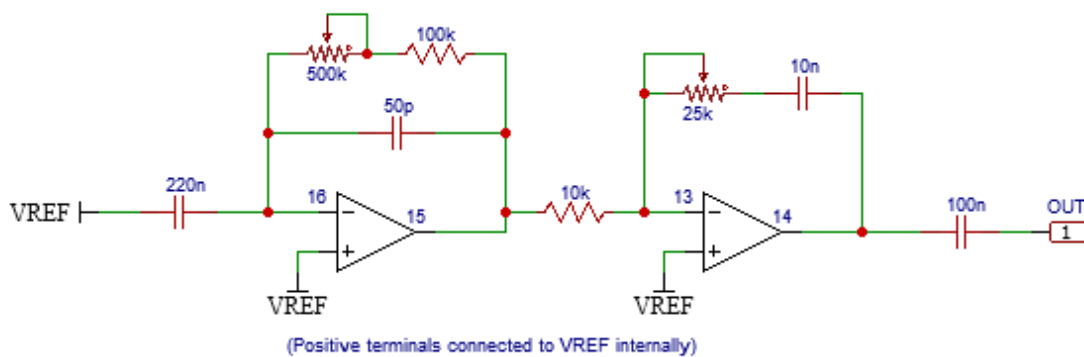


Clearer view of PT2399 internal opamps (pins 13 to 16)



TITLE: PT2399 White Noise Generator

REV: 1.0

EasyEDA

Company: Wraa

Sheet: 1/1

Date: 2020-09-01 Drawn By: tom