

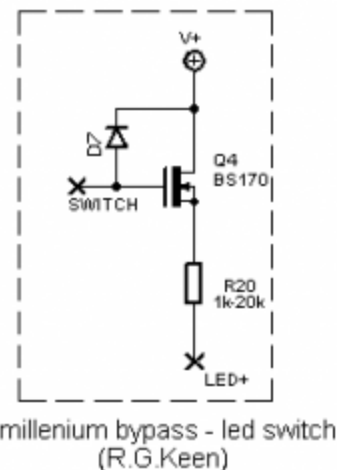
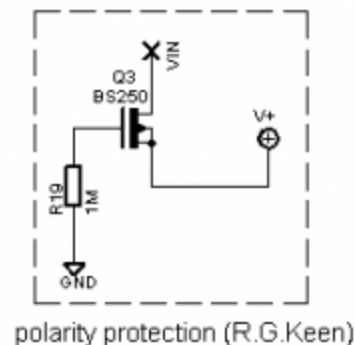
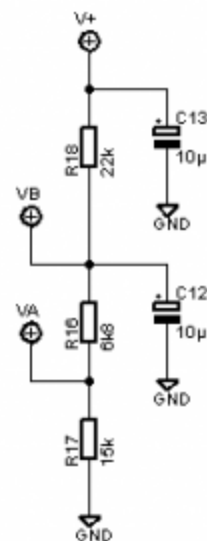
IC1 ... dual opamp ic (original probably 4557D, see [www.freestompboxes.org](http://www.freestompboxes.org))  
 D1 - D7 ... 1N4148 (AC-Booster: only D1+D2 and D4, replace D3/D5+D6 by jumper)

for RC-Booster:

- change: C1 from 20n to 47n
- C2 from 100n to 1µ nF
- R5 from 10k to 22k
- drive poti from 500k to 250k
- replace: R7 by jumper
- omit C4

for Bass-AC/RC:

- change: C7/C8 to 6n8 or 10n



Layout: cAMPus	
<b>Xotic AC-Booster</b>	
(RC-Booster)	
xotic-ac-rc-booster v2	
12.01.2011 14:49:37	
Sheet: 1/1	