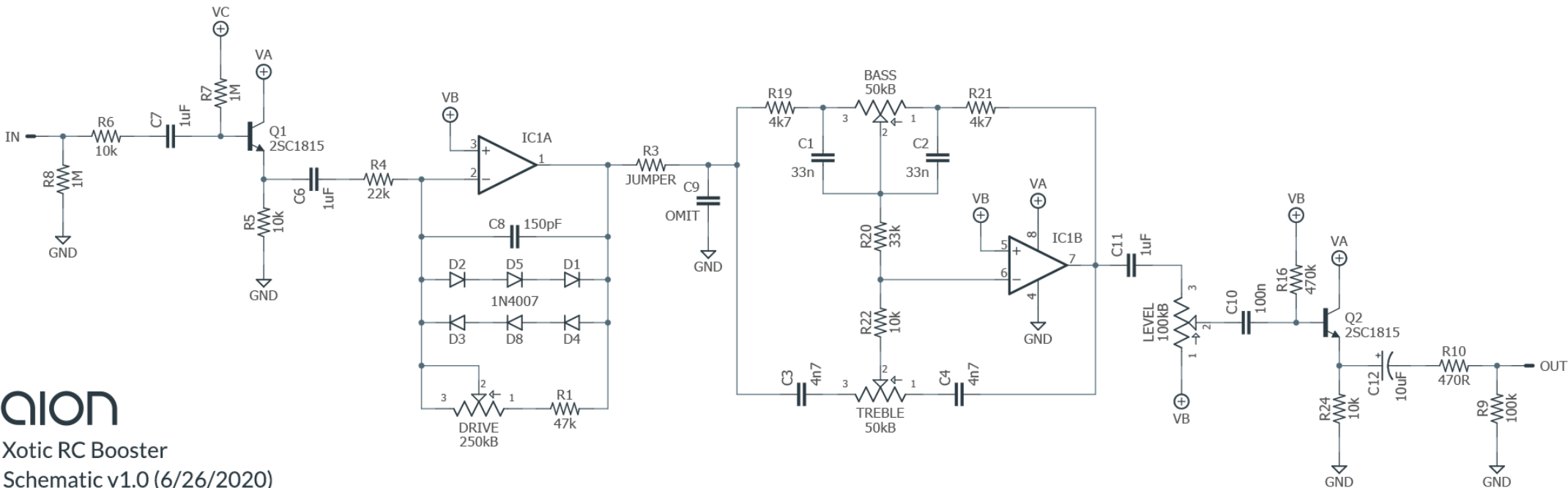


IC1: unknown (top sanded off, but thought to be JRC4557D)
 Q1-2: 2SC1815
 D1-5, 8: 1N4007



aion

Xotic RC Booster
 Schematic v1.0 (6/26/2020)
 aionelectronics.com