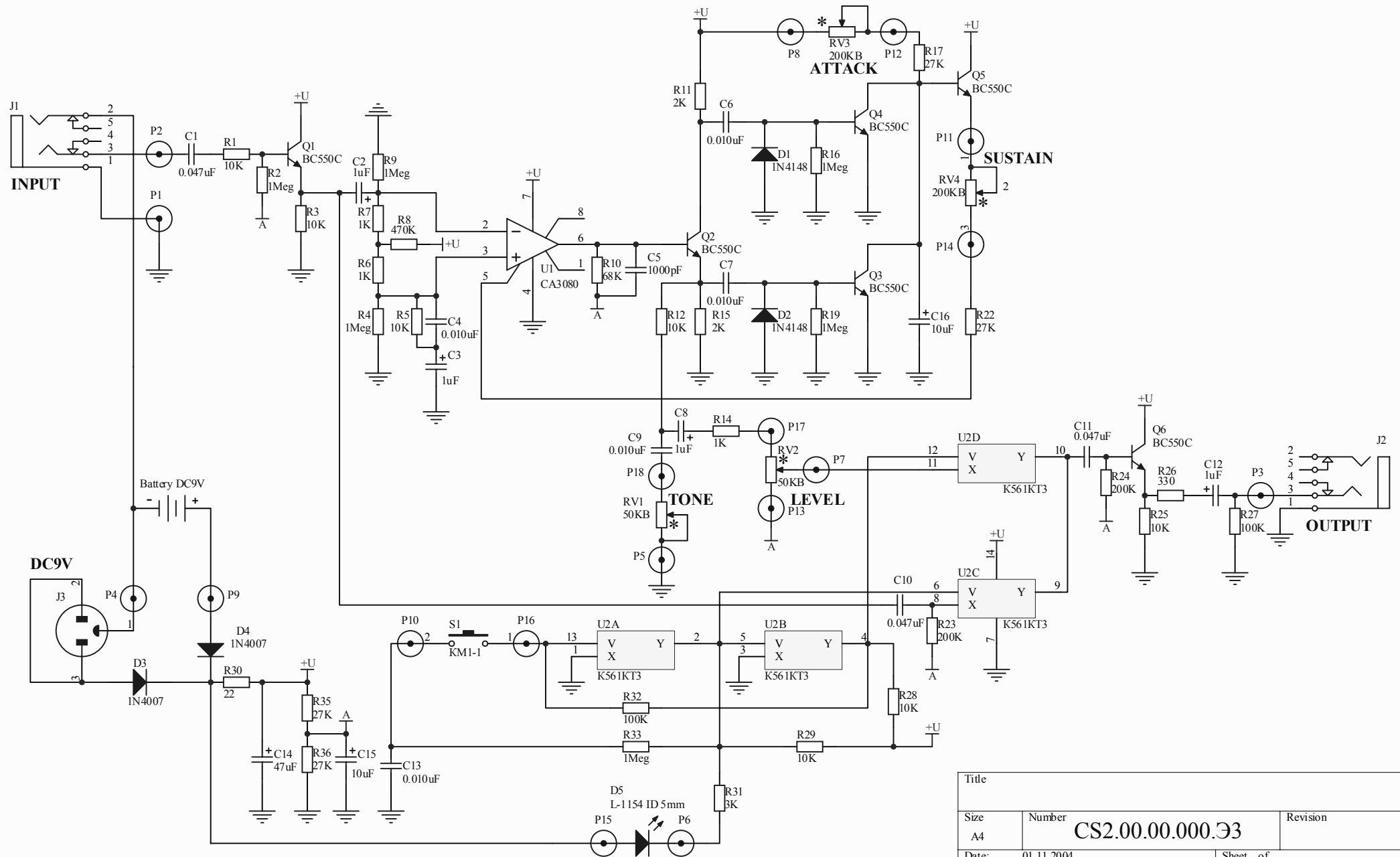


COMPRESSION SUSTAINER CS-2



Title		
Size A4	Number CS2.00.00.000.Э3	Revision
Date: 01.11.2004	Sheet of	
File: D:\ДОКУМЕНТЫ\CS-2-1.SCHDOC	Drawn By:	