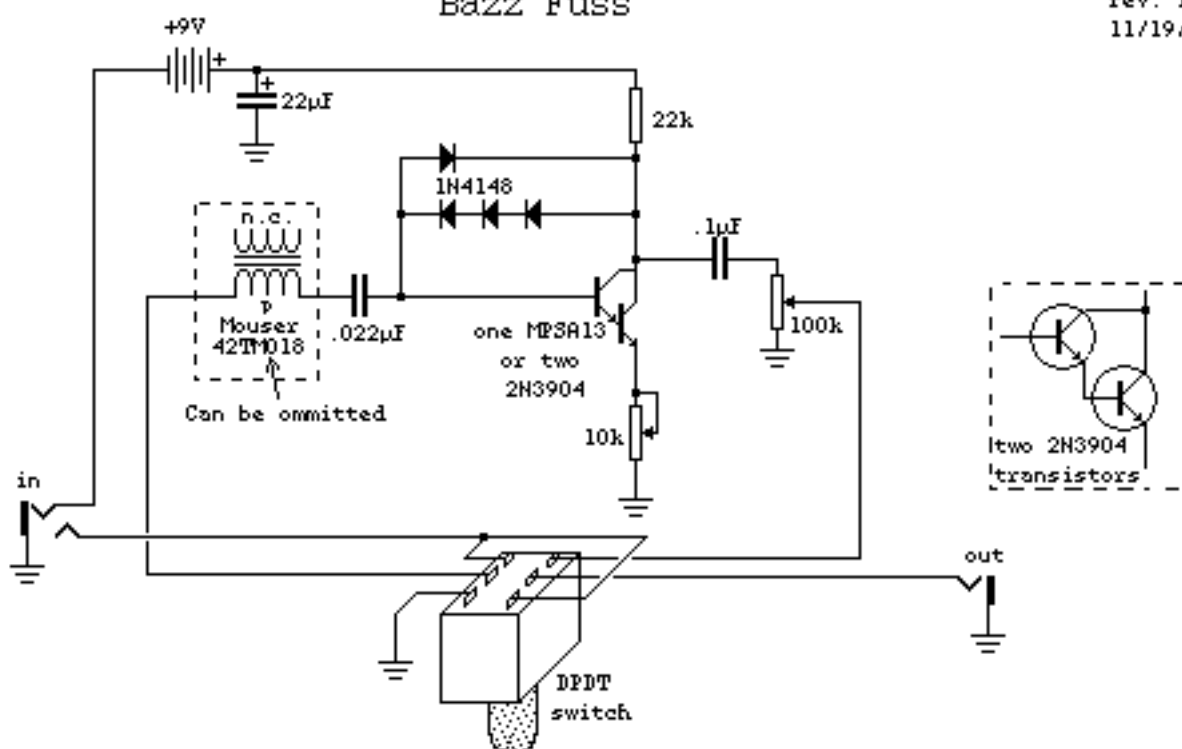


Bazz Fuss

rev. 1.5
11/19/01



My final version of Hemmo P.'s Bazz Fuss. A few things have been added. The extra diodes allow more volume and smoother clipping. A Darlington transistor configuration is essential, either one MPSA13 or two 2N3904 transistors. Other Darlington configurations will probably work fine. The 10k pot on the emitter is a gain control, going from fairly tame to fuzz.

The transformer on the input (on which only the primary winding is used) helps preserve the unique tone of the circuit when preceded by a buffered effect or active pickups, and can be eliminated if the Bazz Fuss is driven directly from a guitar with passive electronics. The primary winding is 10k impedance, 550 Ω DC resistance, inductance unknown.