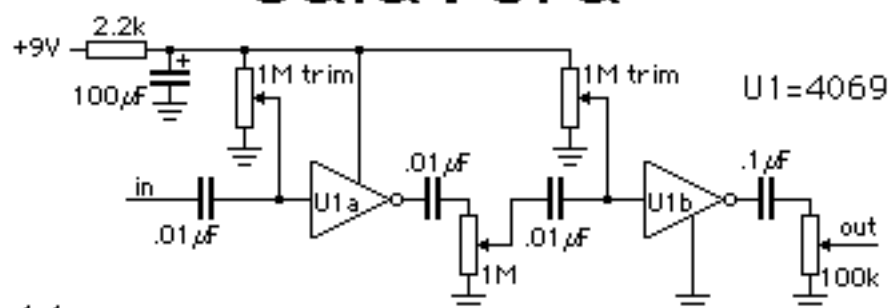


# Calavera



v1.1  
8/03

Nice variation on the CMOS "Tube Sound Fuzz" utilizing two stages and no negative feedback. Each inverter is biased into linear operation by a voltage divider on the input pin, in place of the usual negative feedback. The RC network on the power supply is necessary to keep oscillations down and power consumption reasonable. I used a 4069, but a 4049 may also work. YMMV.