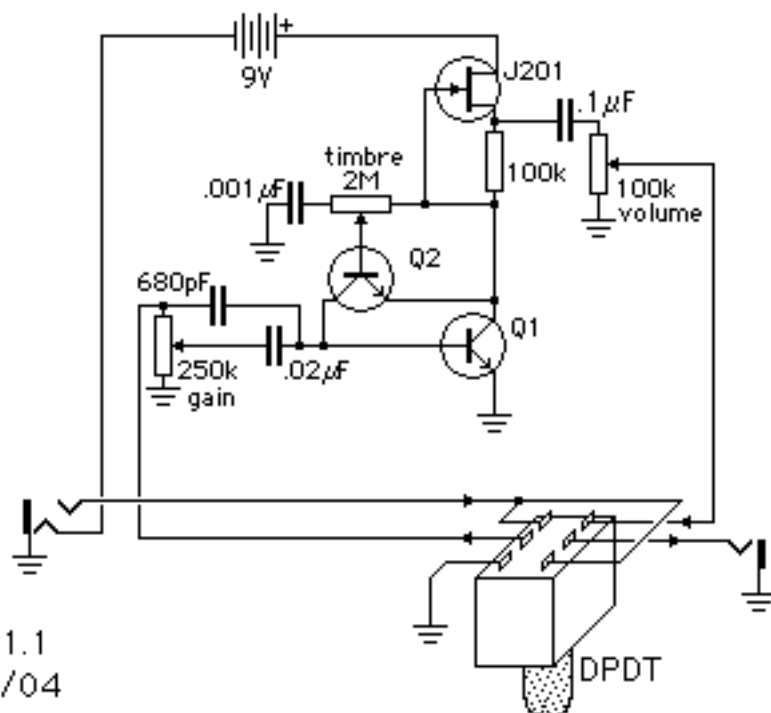


# Cinnabar



v1.1  
4/04

Q1 and Q2 are high gain BJTs. The 2M Timbre pot changes the tone from smooth to spunky. Like the Tyte-wadd, current draw is less than  $10\mu\text{A}$ .