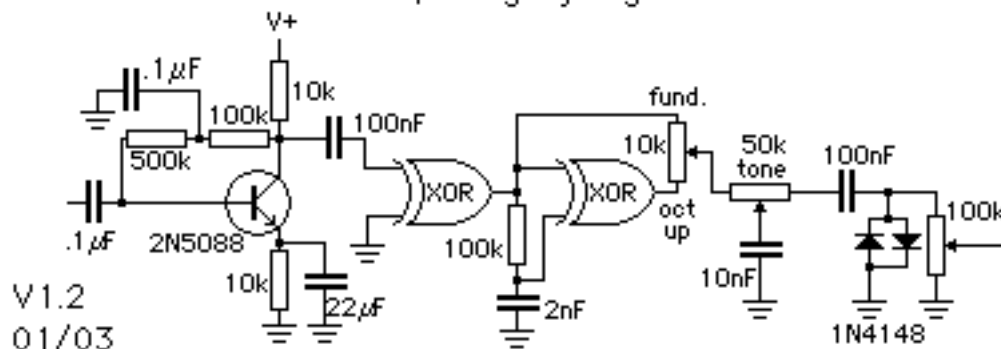


# Digital Octaver Fuzz

aka

## Stupid CMOS Tricks

OR Why I should try things out  
before opening my big mouth.



This little octave up/fuzz is the result of a query on AMPAGE several months ago. Someone asked what a circuit like the second XOR stage would do. To which I replied something like "Probably nothing for guitar". Unfortunately, I should have tried it out before speaking. Because it functions perfectly well for guitar. As a octave doubler. Yes, a digital octave up. Both XOR gates are from a 4070 chip, first one squares up the edges, second has a RC network allowing the XOR to do its' thing. Variable by pot for a massive square wave fundamental fuzz or a mosquito-like octave up fuzz.

Let this be a lesson. Never listen to me. Just go ahead and try it out.