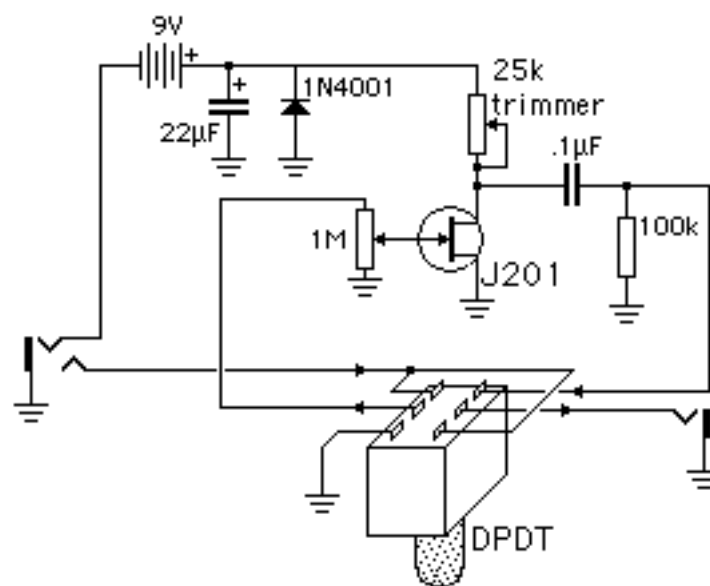


Duende JFET



V.1.1

01/03

Good transparent booster with minimal parts. Less gain than a MOSFET, much nicer distortion characteristics than BJT. Works well with the J201s I have. YMMV.