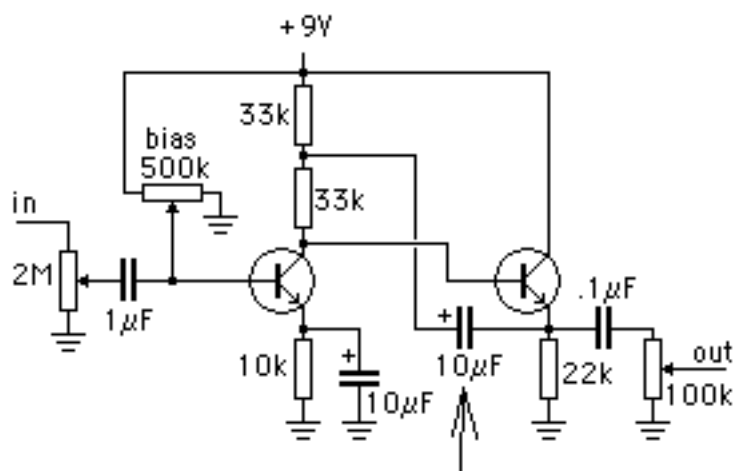


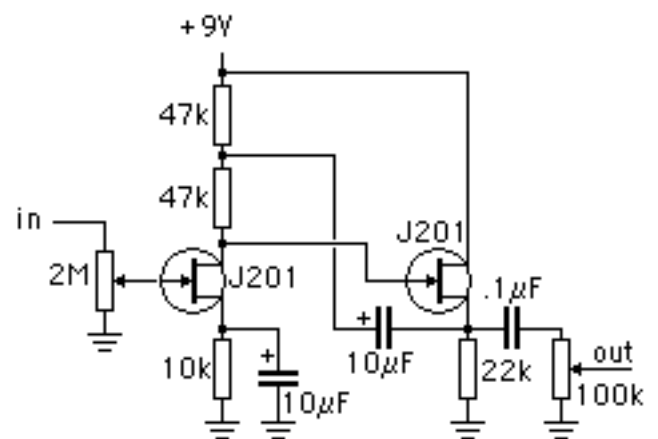
Bootstrapping for gain!

Good fuzz and OD tones from these!

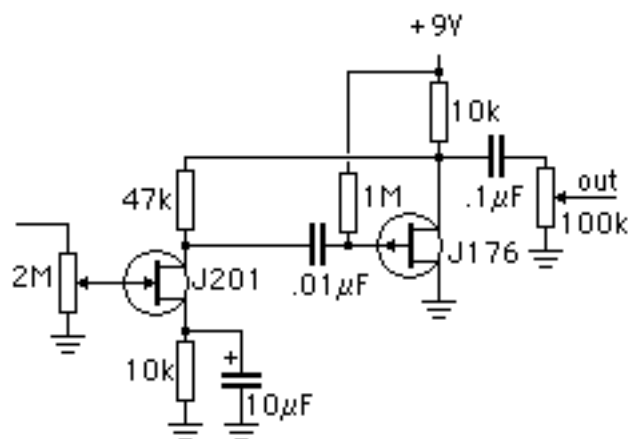
11/02
v1.0



Use some of the output signal via 10μF cap to get higher gains than normally possible.



JFET version!



It's a JFET version of the Jordan bosstone!
Just add diodes...