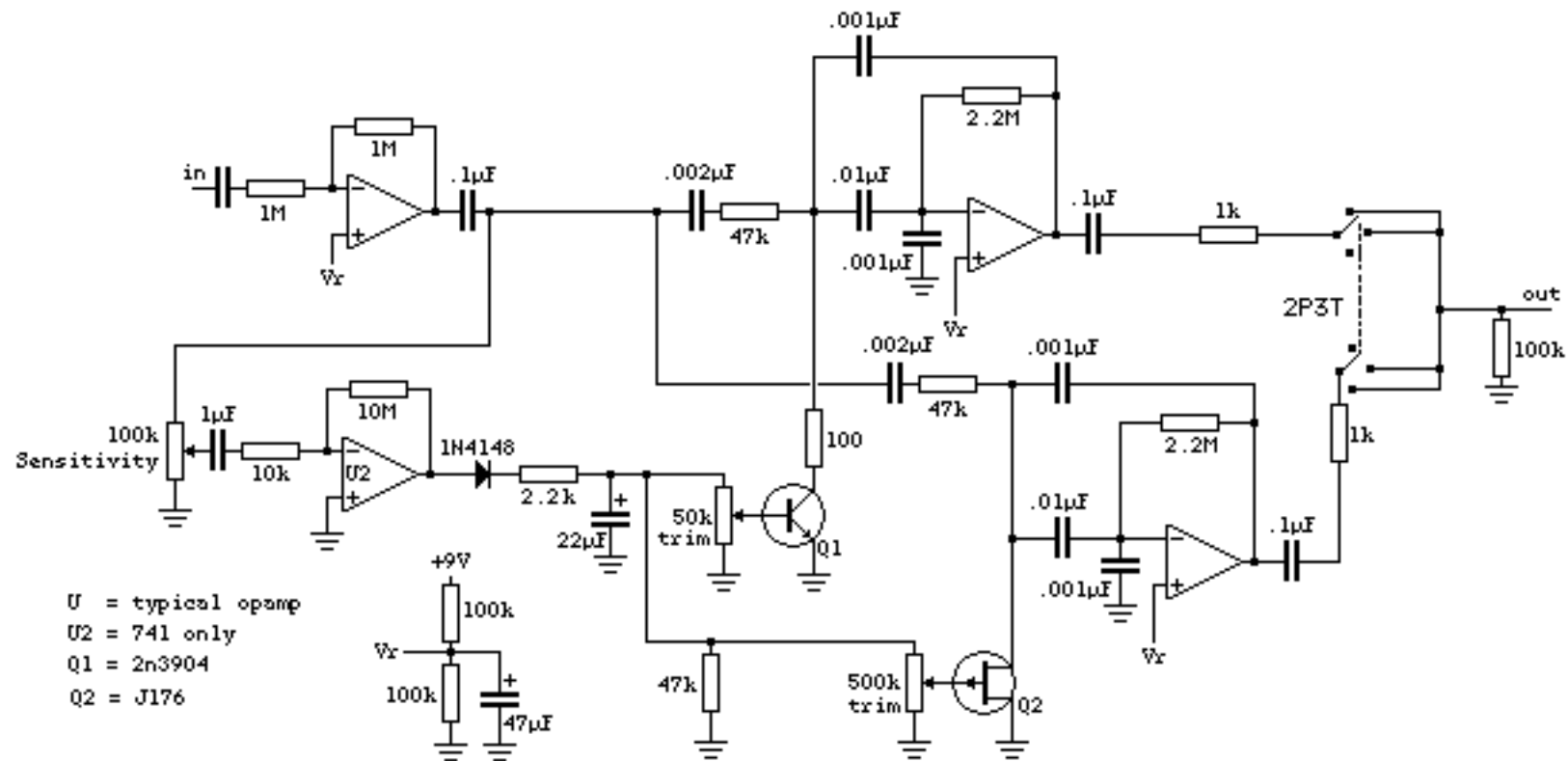


Gargler



V1.0
02/03

This was a envelope filter wah/antiwah/talking wah filter I built several years ago. It worked pretty well, but there are several things i would try differently now. Two separate MFB bandpass filters in parallel, switchable output from one or the other or both. One sweeps up, the other down. The ideas came from the DrQ/Talking Pedal/RG's site. Separately, the filters sound pretty typical env filter sounds. Together, they produce the "talking sound" as both filters are modulated. I was never quite satisfied with the circuit, several little things kept me changing parts around and I eventually abandoned the project. However, the basic idea is sound and it's a good starting point for anyone else wanting to make a "talking circuit".