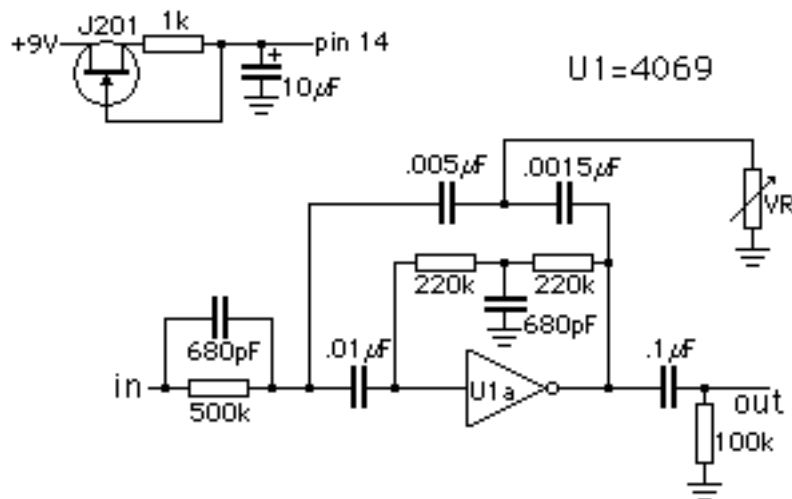


Ghost Dance



v1.1
10/03

Good sounding modified Twin-T wah circuit using a single CMOS inverter for nice overdrive characteristics and simple construction. Nice amount of quack. The J201/1k resistor is a current regulator that keeps the inverter from sucking too much juice from the battery. VR can be any variable resistance to ground from around 1k-50k.

Tie all unused inverter inputs to ground.

IDEA!

Use a couple of those spare inverters as a HF RC oscillator with a fairly large conductive surface coupled to the RC network to drive a electronically variable resistor, such that the large conductive surface becomes a proximity control for the resistance.