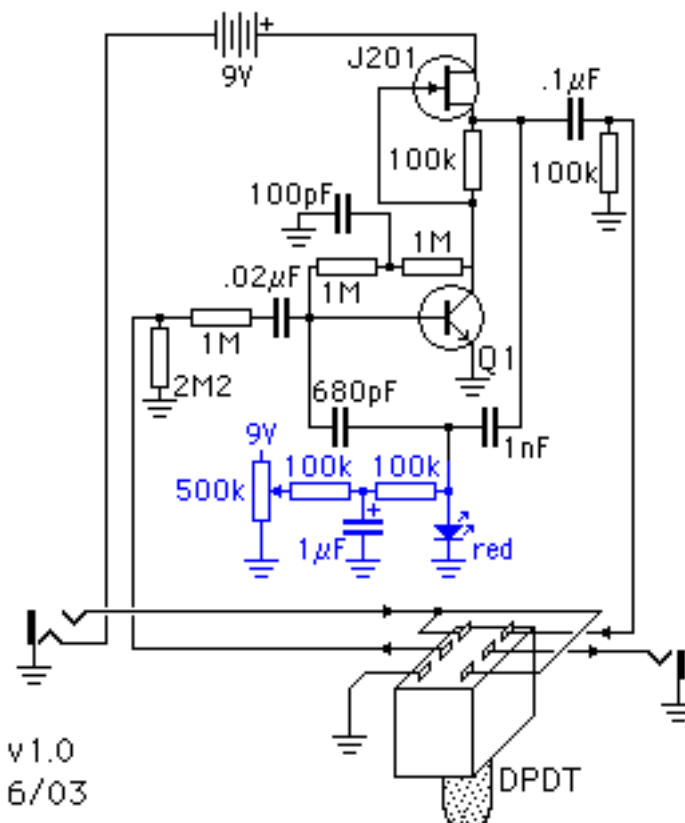


KechiWah



Based on the same circuit as the Tytewadd, The KechiWah is also miserly with the power. As shown, it can use as much as $100\mu\text{A}$, but if the parts in blue are replaced with a 50k - 100k pot to ground, power draw goes down to less than $10\mu\text{A}$. Gain is controlled by the 1M resistor on the input, adjust higher or lower for best sound.