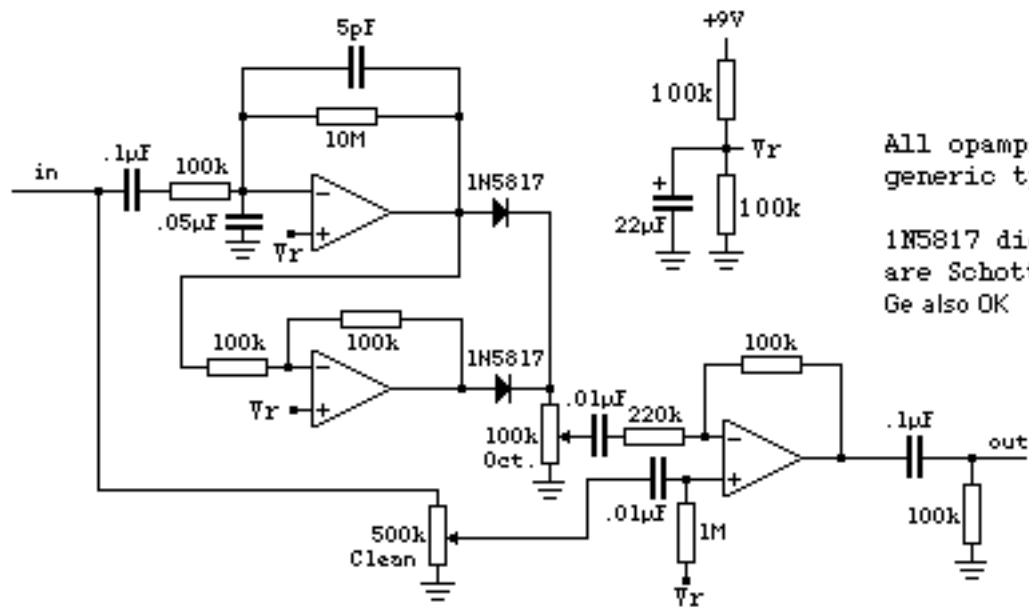


# Octup Blender

v1.4  
4/04



All opamps are generic types.

1N5817 diodes are Schottkys  
Ge also OK