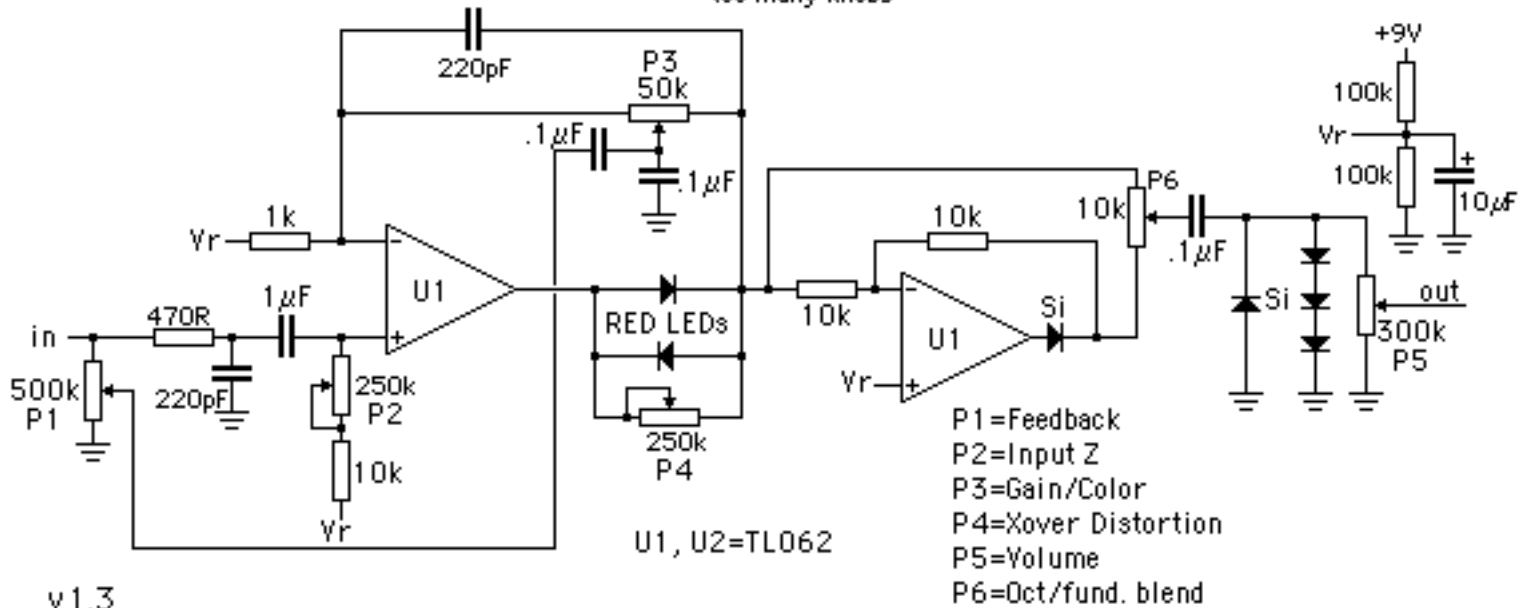


T.M.K.*

*too many knobs



v1.3
3/03

This is a unruly fuzz, designed to be highly interactive with the guitar. Controls allow for positive feedback, variable input Z, variable crossover distortion, combo gain/timbre control, and fundamental/octup blend. Fiddling with the knobs creates various amounts of gain, timbre changes, and oscillation.