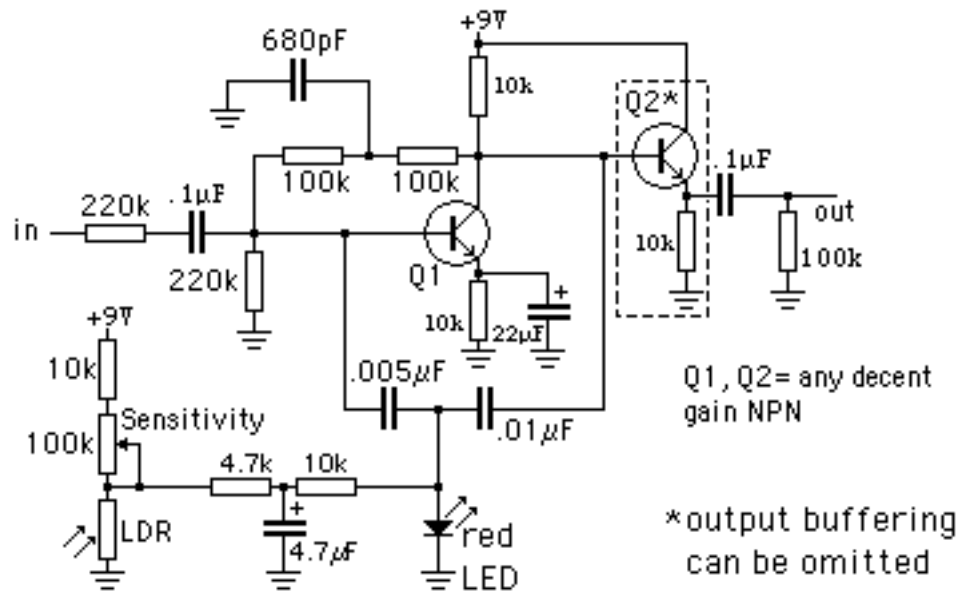


Photon Filter



v1.0
02/03

One implementation of the Idiot Wah, this version uses a LDR to control the wah. Makes a interesting pedal. Sensitivity pot allows useful control in dim or bright light. Variable resistance element is a LED to ground. The Q2 output buffer is nice to have, keeps the filter from getting loaded down at the output. But not absolutely necessary. The LDRs I have go down to about 1k in bright light, YMMV.