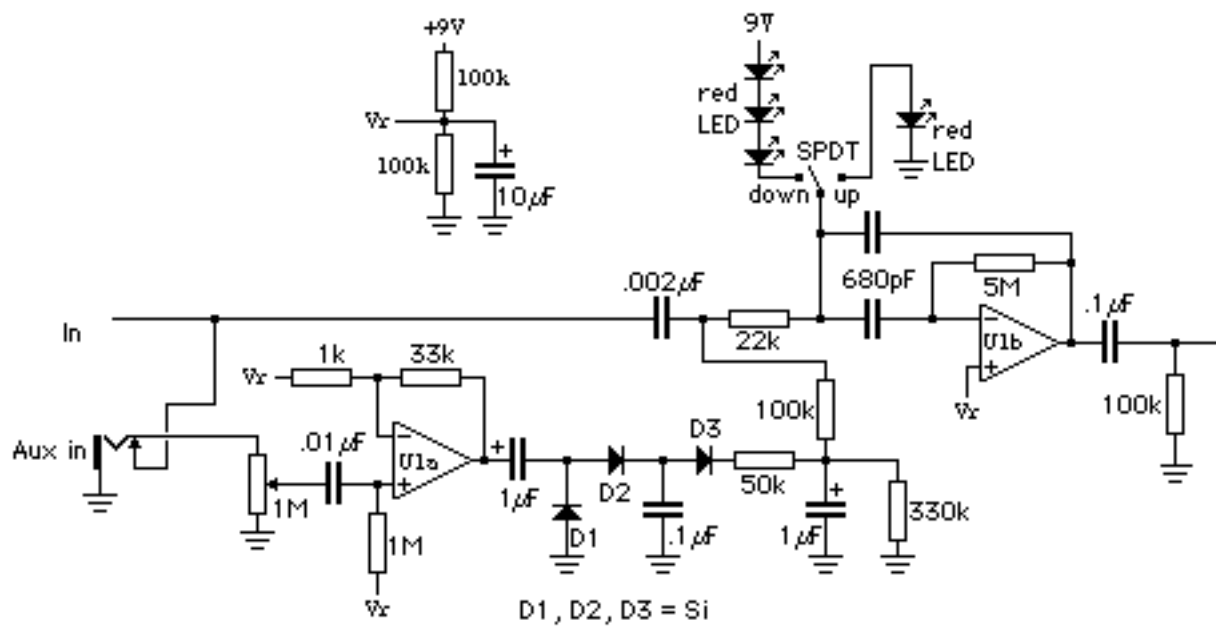


Phuncgnosis

envelope filter



Yet another envelope filter using some hacks to minimize ripple, flatten out response during the sweep, and provide for switchable up/down sweep. Any of the typical op amps should work OK. I used a TL062, but a TL072 and 4558 were tried with good results.