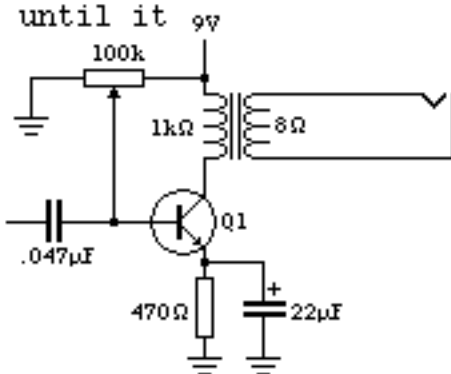


Ultra Class A Superdrive Power Amp

** Signature Series **

Adjust bias pot until it sounds good.

Input can be straight from guitar (least volume), or from fuzz/preamp (more volume).



Radio Shack audio transformer, 273-1380, 1kΩ c.t. primary, 8Ω secondary

Plug this straight into a 8Ω guitar amp speaker/cab, not a "hi-fi" speaker, for most volume.

Q1 can be any of several silicon transistors. 2N3904, MPSA18, MPSA14, even 2N7000 all worked with a little tweaking of the bias pot.

Sound level isn't earth shattering by any means, but unique, especially when driven by a fuzz circuit. Current draw was around 4-6 mA, depending on Q1 and bias.