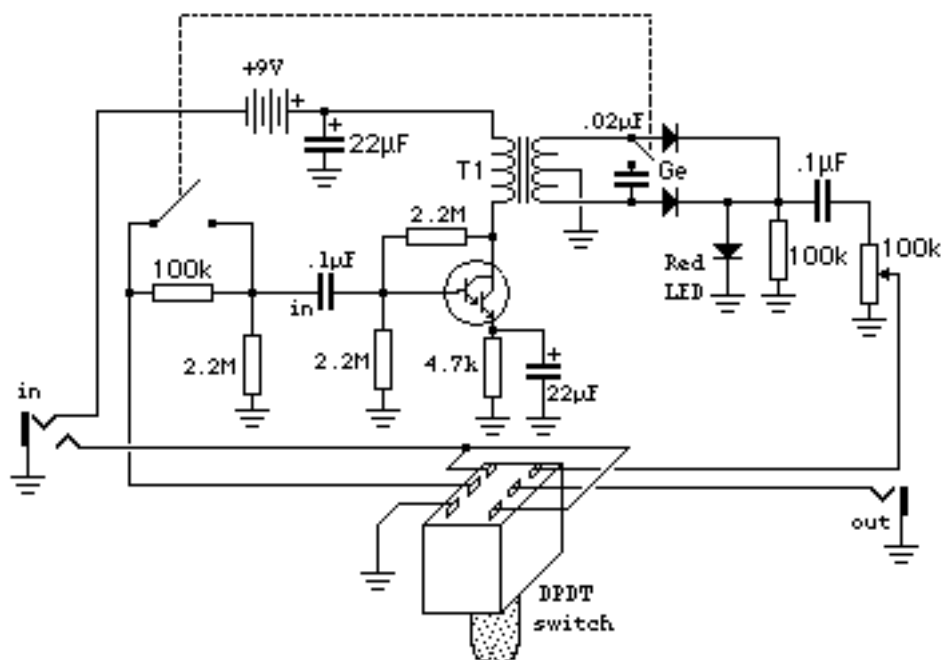


Psychtar

v. 1.2

10/02



Q1 is a MPSA13

T1 is a 10k:10k audio transformer Mouser 42TM018

The Ge diodes are 1N34

Goes from sitar to psycho!

Closing the DPST switch changes the effect from a Jawari-styled circuit to a nice octave up.