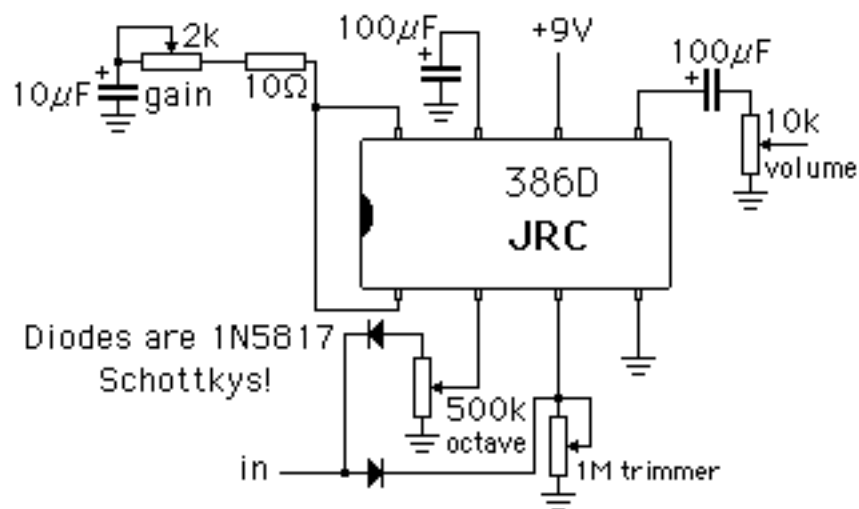


Marginally better Rambler



11/02

v1.1

This setup allows better "nulling out" of the fundamental by tweaking the 1Meg trimmer and more useable gain with a twist of the 2k pot. Marginally better than the plain Rambler, for those who have to tweak the utmost performance out of the circuit.

To "tune in" the best octave up tone, crank the Gain and Octave pots up, and turn the 1Meg trimmer to the point where the octave note comes out best.