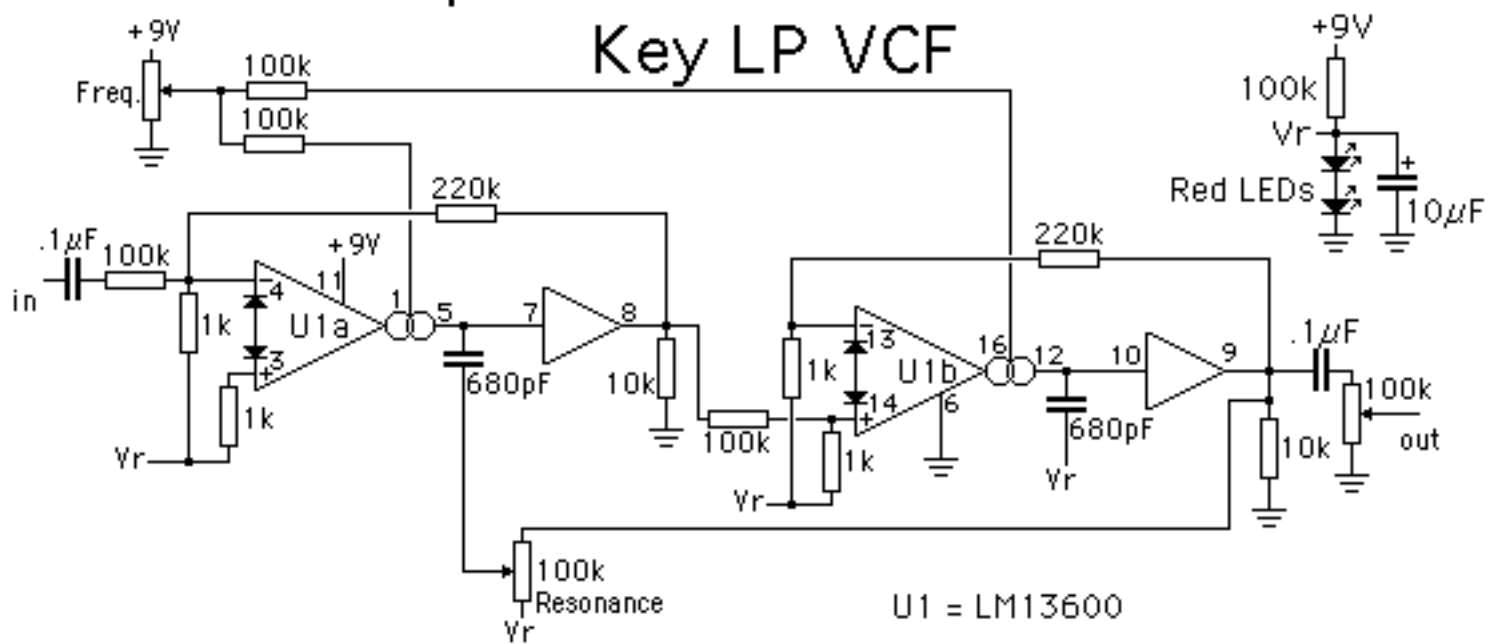


9V powered MS-20 Sallen-Key LP VCF



v0.8.1
6/03

Preliminary MS-20 filter running off single 9V battery, for stompbox use. Will oscillate when resonance is turned up, but distorts in a bit of a yukky way. Perhaps clippers there, like in other MS-20 clones, could tame that a bit.