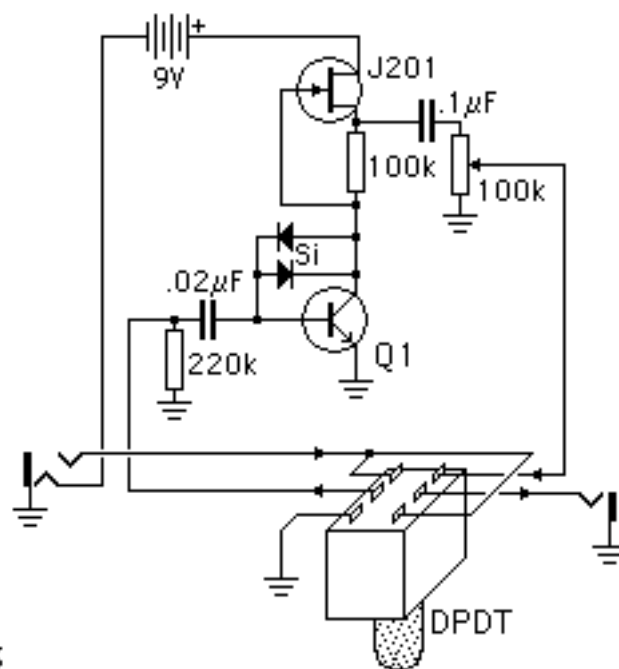


Tytewadd



v1.0
6/03

A miserly fuzzbox running on less than $10\mu\text{A}$ from a 9V battery, for the ultimate in battery life. Shown in simplest form, the 220k input resistor can be swapped with a pot for some gain control. Low input impedance, simple design, good sound. Q1 can be any med to high gain transistor.